

- Designed for 10/100 Base/s Transmission Over UTP-5 Cable.
- 16-PIN SMD package for economic cost.
- Cable interface for isolation and Low common mode Emissions.
- Meet all IEEE 802.3 standards including 350 H OCL with 8mA Bias.
- Operating temperature range: 0 to +70
- Storage temperature range: -25 to +125



Electrical Specifications @ 25

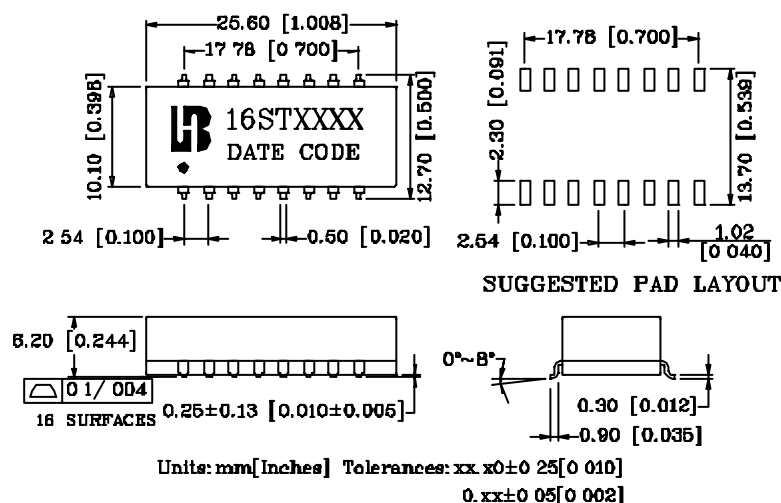
Part Number	Insertion Loss (dB Max)	Return Loss TX/RX (dB Min)					Cross talk (dB Min)		DCMR TX/RX (dB Min)		
							0.3-60MHz	60-100MHz	30MHz	60MHz	100MHz
		0.3~100MHz	30MHz	40MHz	50MHz	60MHz	80MHz				
16ST8510	-1.15	-16	-14	-13.5	-13	-12	-45	-35	-42/40	-35/-30	-28/-25
16ST8511	-1.15	-16	-14	-13.5	-13	-12	-45	-35	-42/40	-35/-30	-28/-25
16ST8512	-1.15	-16	-14	-13.5	-13	-12	-45	-35	-42/-40	-35/-30	-28/-25
16ST8513	-1.15	-16	-14	-13.5	-13	-12	-45	-35	-42/-40	-35/-30	-28/-25
16ST8514	-1.15	-16	-14	-13.5	-13	-12	-45	-35	-42/-40	-35/-30	-28/-25
16ST8515	-1.15	-16	-14	-13.5	-13	-12	-45	-35	-42/-40	-35/-30	-28/-25
16ST8515-4	-1.15	-16	-14	-13.5	-13	-12	-45	-35	-42/-40	-35/-30	-28/-25
16ST8517	-1.15	-16	-14	-13.5	-13	-12	-45	-35	-42/-40	-35/-30	-28/-25
16ST8517-1	-1.15	-16	-14	-13.5	-13	-12	-45	-35	-42/40	-35/-30	-28/-25

Continue

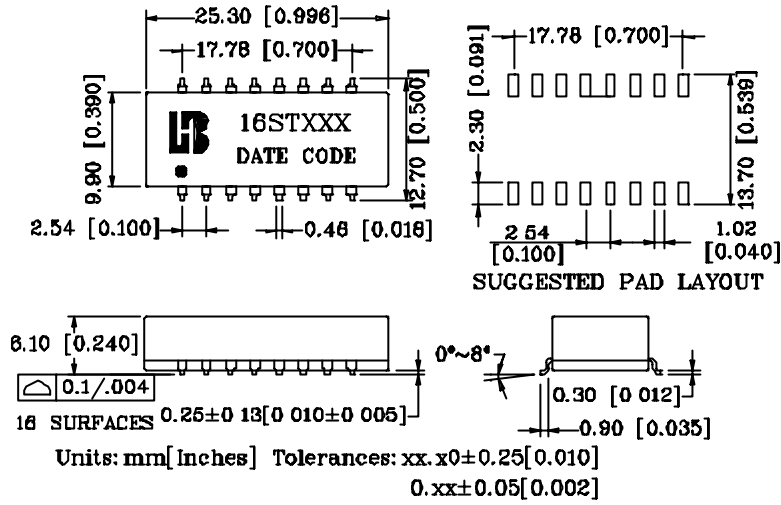
Part Number	Turn Ratio(±5%)		OCL(uH Min) @100KHz/0.1V with 8.0mA DC	Rise Time 10-90%(nS Typ)	HI-POT (Vrms)
	TX	RX			
16ST8510	1CT:1CT	1CT:1CT	350	2.5	1500
16ST8511	1CT:1	1CT:1CT	350	2.5	1500
16ST8512	1CT:1	1CT:1CT	350	2.5	1500
16ST8513	1:1CT	1CT:1CT	350	3.0	1500
16ST8514	1CT:1	1CT:1CT	350	3.0	1500
16ST8515	1CT:1CT	1CT:1CT	350	2.5	1500
16ST8515-4	1CT:1CT	1CT:1CT	350	2.5	1500
16ST8517	1CT:1CT	1CT:1CT	350	2.5	1500
16ST8517-1	1CT:1	1CT:1CT	350	2.5	1500

Mechanicals

Twice Molding



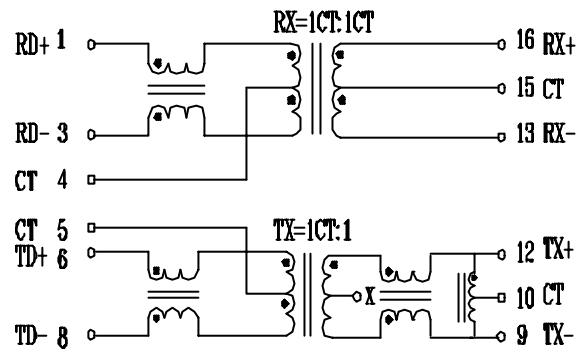
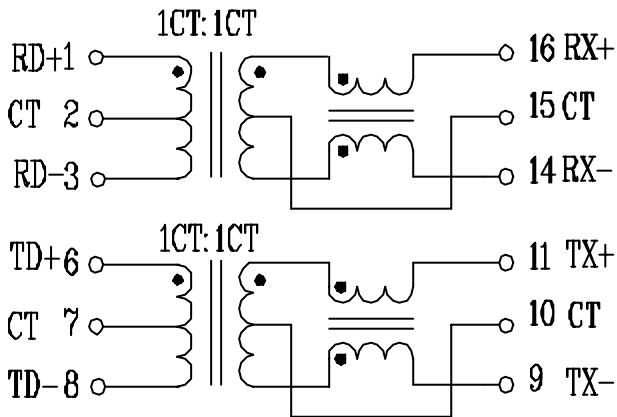
Once Molding



Schematics

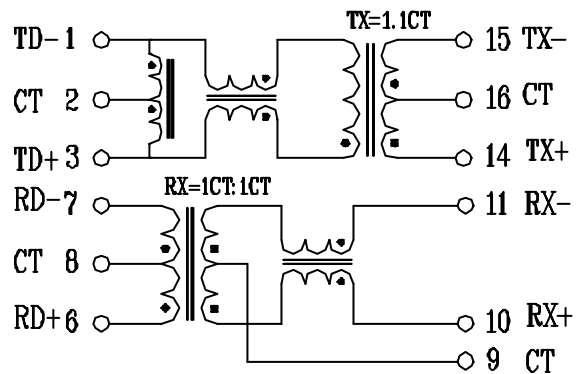
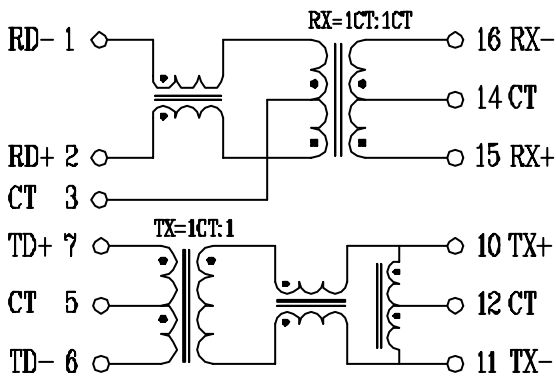
16ST8510

16ST8511

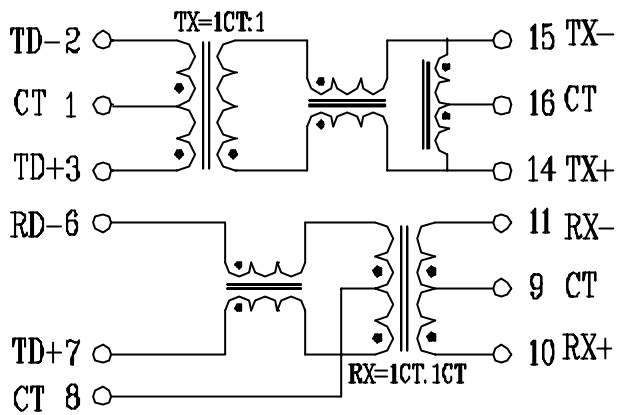


16ST8512

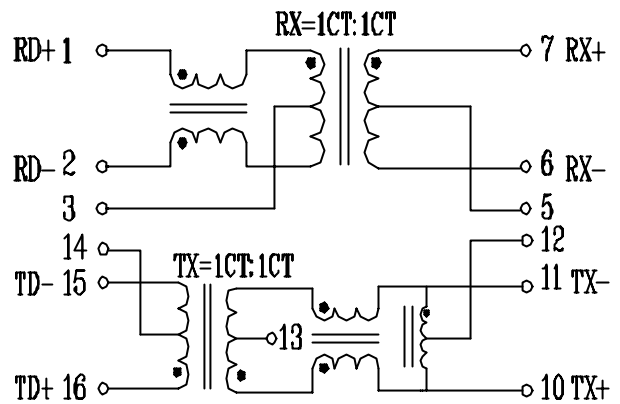
16ST8513



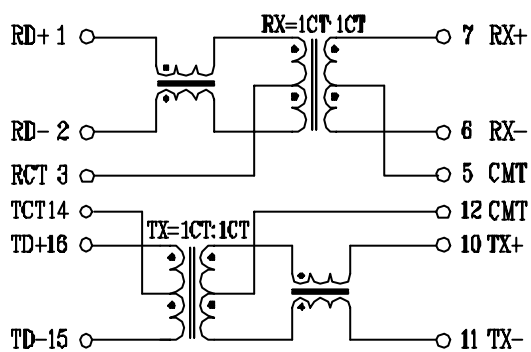
16ST8514



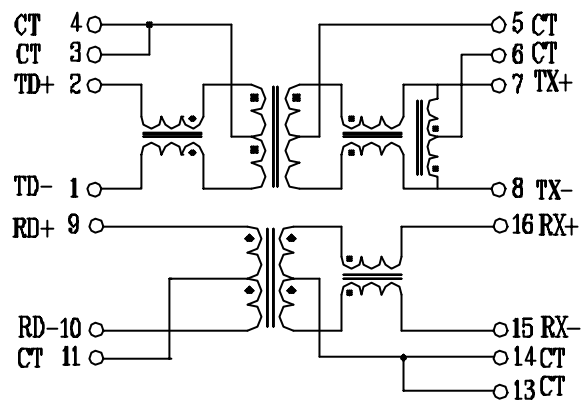
16ST8515



16ST8515-4



16ST8517



16ST8517-1

