

10/100 BASE DUAL PORT TRANSFORMERS

- Compliant with IEEE 802.3u and ANSI X3.263 standards including 350uH OCL with 8mA Bias.
- Operating temperature range : 0 to +70 .
- Storage temperature range: -25 to +105 .



Electrical Specifications @ 25

Part Number	Turns Ratio(±5%)		OCL(uH Min) @100KHz/0.1V with 8.0mA DC	Rise Time 10-90%(nS Typ)	Mechanical Number	HI-POT (Vrms)
	TX	RX				
20PT1021	1CT:1CT	1:1	350	2.5	DP1	1500
20PT1021A	1CT:1CT	1:1	350	2.5	DP1	1500
20PT1021B	1CT:1CT	1:1	350	2.5	DP1	1500
20PT1021C	1CT:1CT	1:1	350	2.5	DP1	1500
20PT1021D	1CT:1CT	1:1	350	2.5	DP1	1500
20PT1021E	1CT:1CT	1:1	350	2.5	DP1	1500
20PT1021F*	1CT:1CT	1:1	350	2.5	DP1	1500
20PT1021G	1CT:1CT	1:1	350	2.5	DP1	1500
20PT1021H	1CT:1CT	1:1	350	2.5	DP1	1500
20PT1021J	1CT:1CT	1:1	350	2.5	DP1	1500
20PT1021S	1CT:1CT	1:1	350	2.5	DP2	1500
20PT1021S-2	2CT:1CT	1:1	350	2.5	DP2	1500
20PT1022	1CT:1CT	1:1	350	-	DP1	1500
20PT1025*	1CT:1CT	1:1	350	-	DP1	1500
20PT1025A*	1CT:1CT	1:1	350	2.5	DP1	1500

Continue

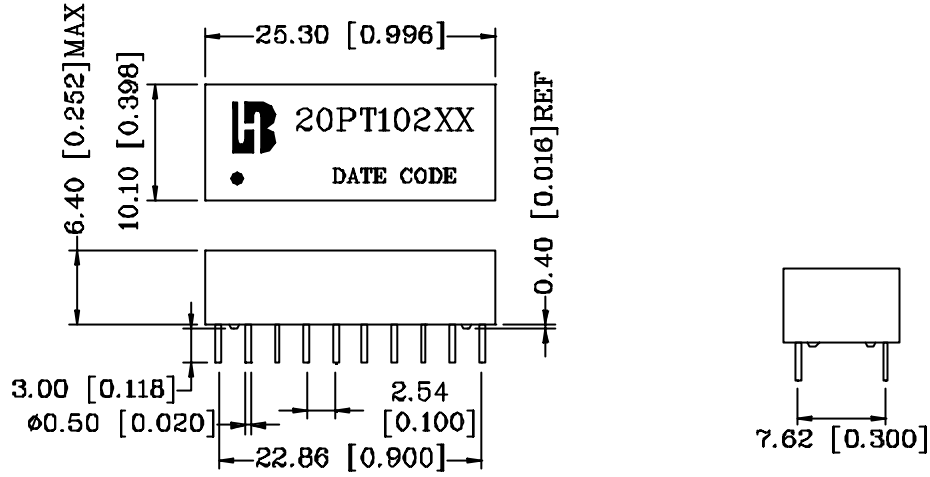
Part Number	Insertion Loss (dB Max)	Return Loss (dB Min)			Cross talk (dB Min)	DCMR (dB Min)
		0.3~100MHz	0.3-30 MHz	30-60 MHz		
20PT1021	-1.15	-18	-14	-12	-35	-30
20PT1021A	-1.15	-18	-14	-12	-35	-30
20PT1021B	-1.15	-18	-14	-12	-35	-30
20PT1021C	-1.15	-18	-14	-12	-35	-30
20PT1021D	-1.15	-18	-14	-12	-35	-30
20PT1021E	-1.15	-18	-14	-12	-35	-30
20PT1021F	-1.15	-18	-14	-12	-35	-30
20PT1021G	-1.15	-18	-14	-12	-35	-30
20PT1021H	-1.15	-18	-14	-12	-35	-30
20PT1021J	-1.15	-18	-14	-12	-35	-30
20PT1021S	-1.15	-18	-14	-12	-35	-30
20PT1021S-2	-1.15	-18	-14	-12	-35	-30
20PT1022	-1.15	-18	-14	-12	-35	-30
20PT1025	-1.15	-18	-14	-12	-35	-30
20PT1025A	-1.15	-18	-14	-12	-35	-30

NOTE:

* Insulation Resistance : 10000M @50Vdc

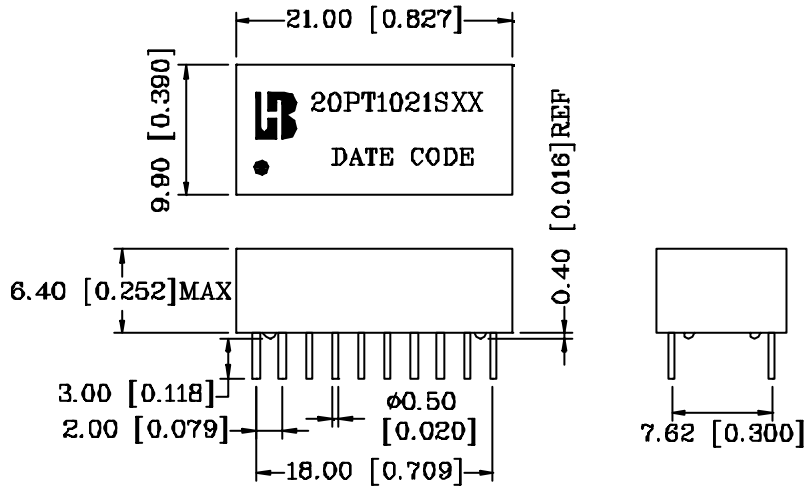
Mechanicals

DP1



Units: mm[Inches] Tolerance: xx.x0±0.25[0.010]
0.xx±0.05[0.002]

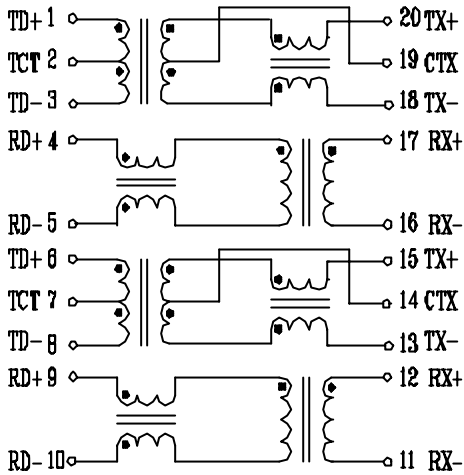
DP2



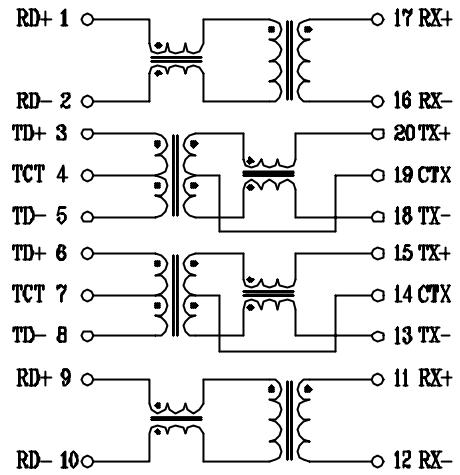
Units: mm[Inches] Tolerance: xx.x0±0.25[0.010]
0.xx±0.05[0.002]

Schematics

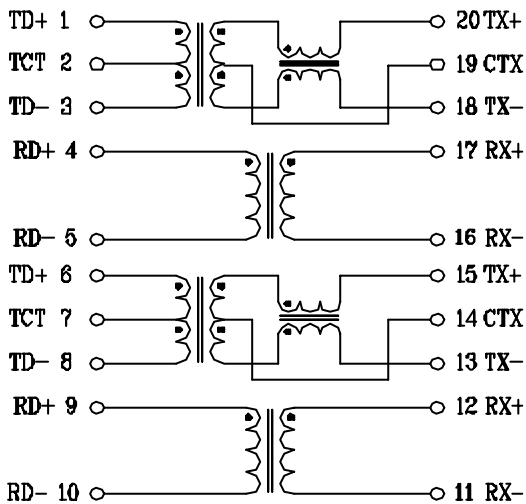
20PT1021



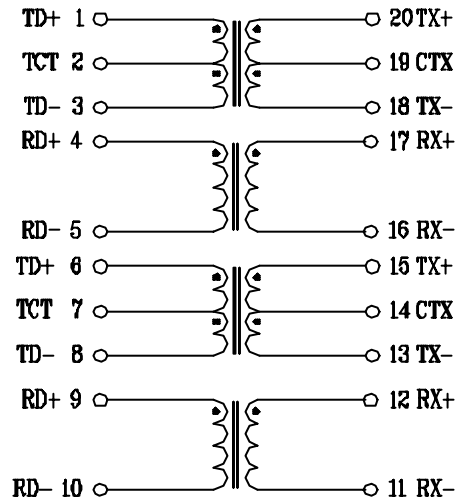
20PT1021A



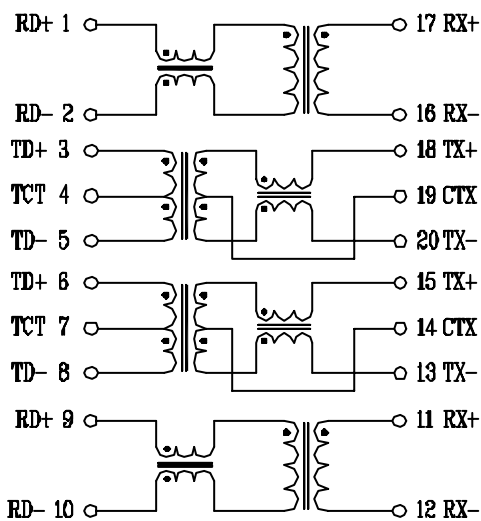
20PT1021B



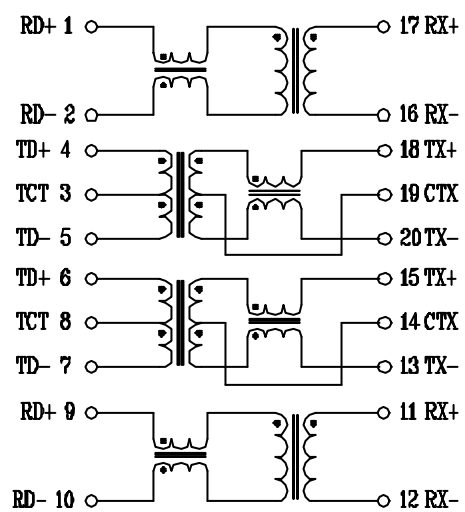
20PT1021C



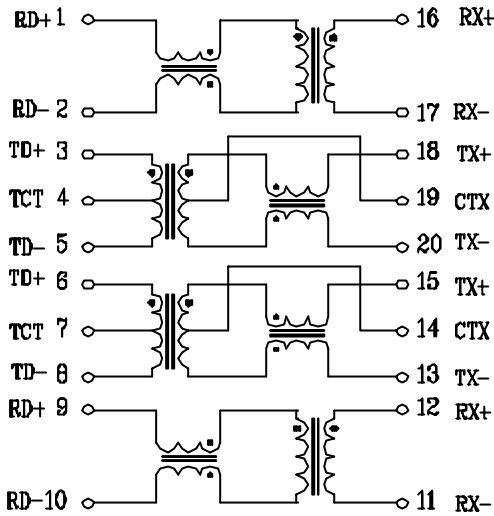
20PT1021D



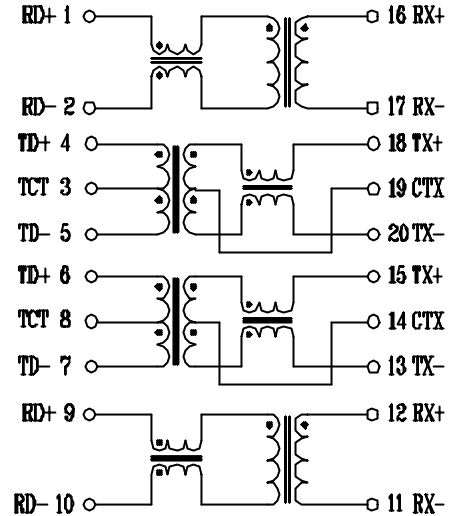
20PT1021E



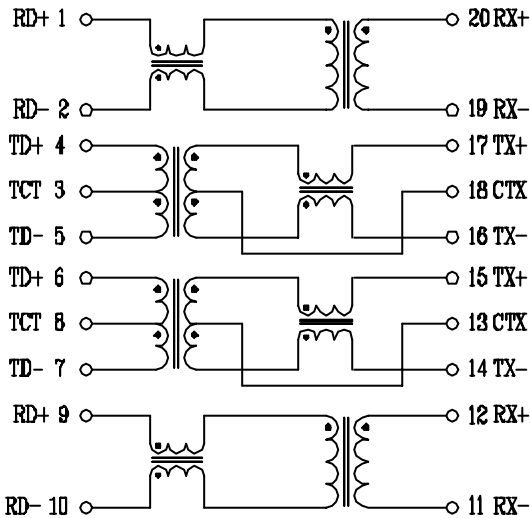
20PT1021F



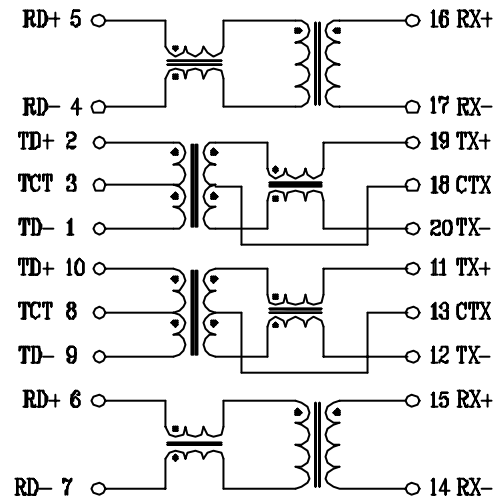
20PT1021G



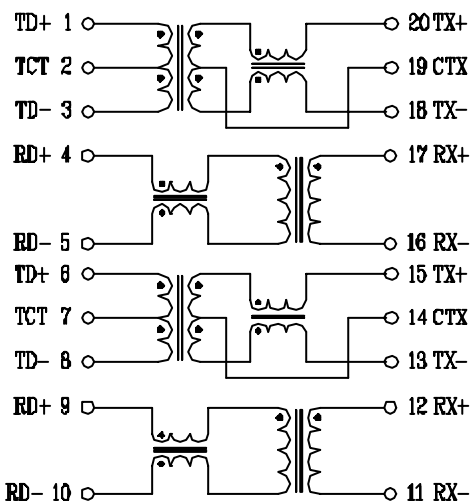
20PT1021H



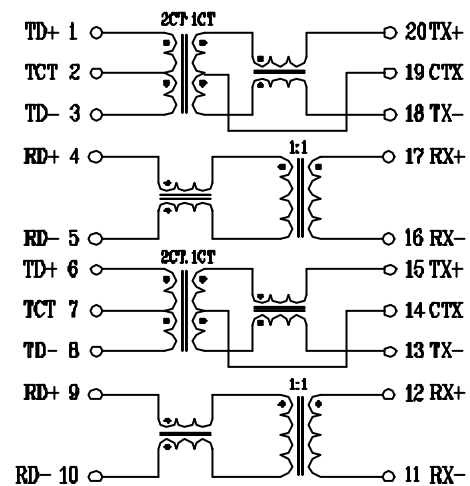
20PT1021J



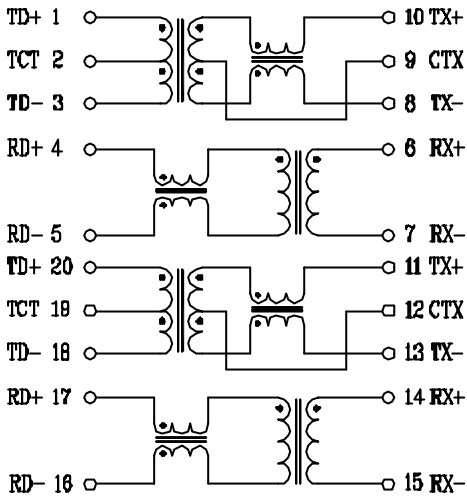
20PT1021S



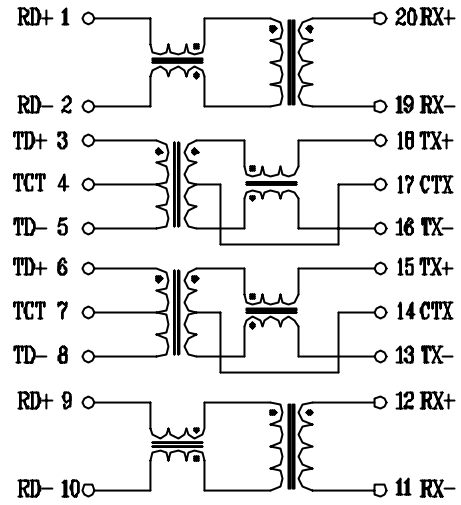
20PT1021S-2



20PT1022



20PT1025



20PT1025A

