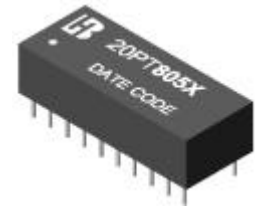


10 BASE TWO PORT PULSE TRANSFORMERS

- 20-PIN DIP package compatible with IEEE 802.3 standard for the new technology
“ Filter less ” transceiver chips
- Designed for multi-part repeater and switched Ethernet applications
utilizing single RJ -45 connectors
- Customer designs available for specific application
- Operating temperature range: 0 to +70
- Storage temperature range: -25 to +125



Electrical Specifications @ 25

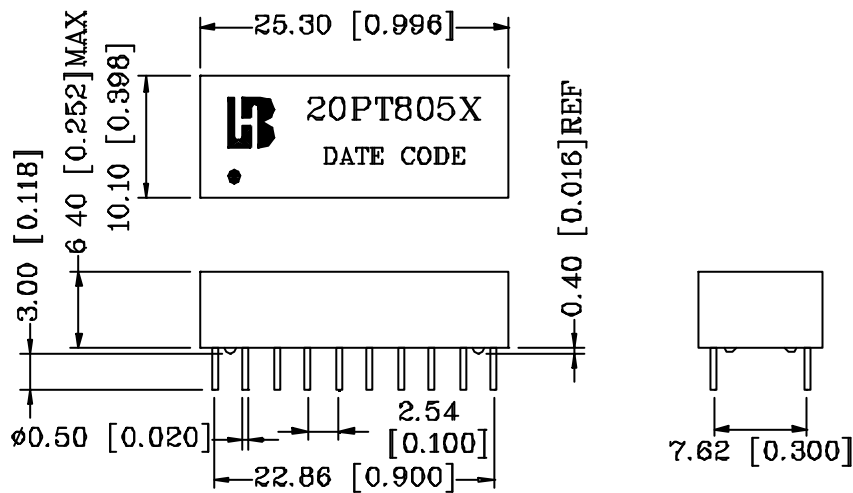
Part Number	Turns Ratio (±5%)		Primary OCL (uH Min)	L.L TX/RX(uH Max)	C _{w/w} (pF Max)	Peak Pulse Rating (Volts)	HI-POT (Vrms)	DCR TX/RX (Max)
	TX	RX						
20PT8052	1CT:1	1CT:1	140	0.35	15	50	1500	0.3
20PT8053	2CT:1	1CT:1	140	0.8/0.4	15	50	1500	0.6/0.3
20PT8054	1CT:2CT	1:1	200-350	0.3	15	50	1000	0.8/0.6

NOTE:

1.Dissipation Rating :75mW

2.Insulation Resistance : 10,000M

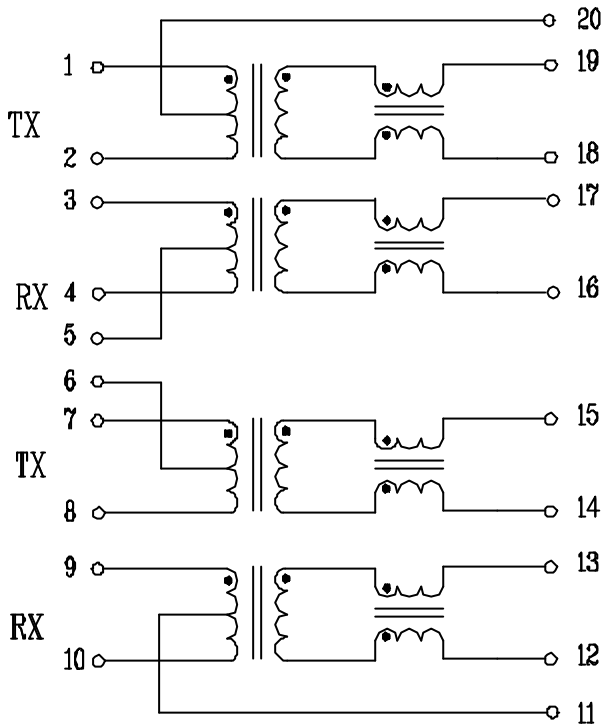
Mechanicals



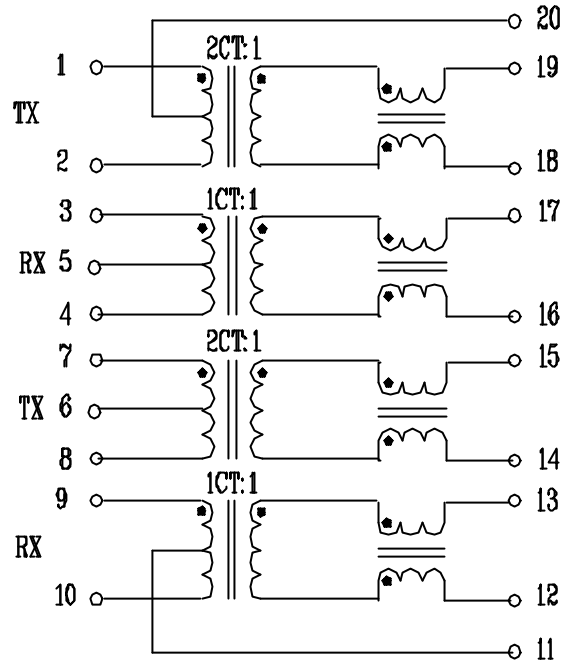
Units: mm [Inches] Tolerances: xx.x0±0.25 [0.010]
0.xx±0.05 [0.002]

Schematics

20PT8052



20PT8053



20PT8054

