

## “LAN-MATE” SERIES

### SINGLE RJ45 CONNECTOR MODULE WITH INTEGRATED

### 10 BASE-T MAGNETICS & FILTERS

- RJ-45 connector integrated with Filter.
- Size same as RJ-45 connector to save PCB board space.
- Reduce EMI radiation, Improve EMI performance.
- Operating temperature range: 0°C to +70°C.
- Storage temperature range: -25°C to +125°C.



#### Electrical Specifications @ 25°C.

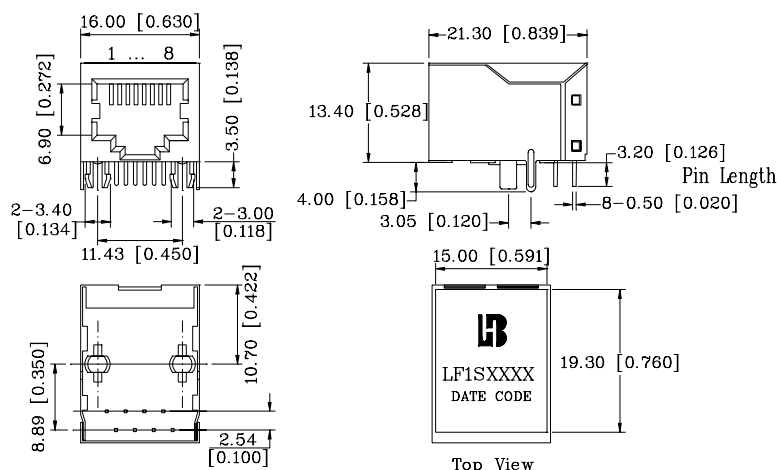
Part Number	Insertion Loss TX/RX(dB Max)	Return Loss TX/RX(dB Min)	Attenuation (dB Min) TX/RX				CMR TX/RX(dB Min)
			1-10MHz	5-10 MHz	20 MHz	25 MHz	
LF1S009	-1.0	-13.5	-7/-5	-18/-11	-28/-16	-33/-26	-30/-30
LF1S021	-1.0	-14	-5/-4.2	-18/-11	-28/-16	-33/-26	-30/-30
LF1S022	-1.0	-13.5	-5/-4.2	-18/-11	-28/-16	-33/-26	-30/-30
LF1S022A	-1.0	-15	-5/-4.2	-18/-11	-28/-16	-33/-26	-30/-30
LF1S023B	-1.15	-13.5	-5/-4.2	-18/-11	-28/-16	-33/-26	-30/-30
LF1S026B	-1.15	-13.5	-5/-4.2	-18/-11	-28/-16	-33/-26	-30/-30
LF1S028	-1.15	-16	-5/-4.2	-18/-11	-28/-16	-33/-26	-30/-30

#### Continue

Number	Turns Ratio(±5%)		Cross Talk TX/RX(dB Min)	CUT OFF Frequency TX/RX	HI-POT (Vrms)
	TX	RX			
LF1S009	1CT:1.41	1CT:1	-30/-30	17 MHz±1 MHz	1200
LF1S021	1CT:1CT	1CT:1CT	-30/-30	17 MHz±1.5 MHz	1200
LF1S022	1CT:1CT	1CT:1CT	-30/-30	17 MHz±1 MHz	1200
LF1S022A	1CT:1CT	1CT:1CT	-30/-30	17 MHz±1 MHz	1200
LF1S023B	1:2CT	1CT:1CT	-30/-30	17 MHz±1 MHz	1200
LF1S026B	1:1.414CT	1CT:1CT	-30/-30	17 MHz±1 MHz	1200
LF1S028	1CT:1.41	1CT:1CT	-30/-30	17 MHz±1.5 MHz	1200

#### Mechanicals

##### LF1SXXXX



Units: mm[Inches] Tolerances: xx.x0±0.25[0.010]

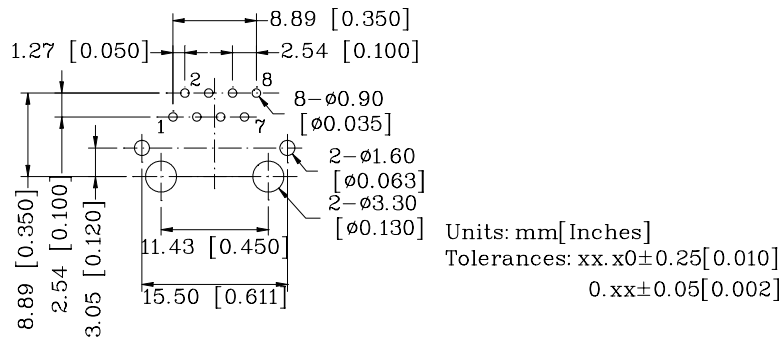
0.xx±0.05[0.002]

**“LAN-MATE” SERIES**  
**SINGLE RJ45 CONNECTOR MODULE WITH INTEGRATED**  
**10 BASE-T MAGNETICS & FILTERS**

- 1. Plastic Material : Thermoplastic (UL 94V-0), Black Housing
- 2. Metal Shield : Brass , 20u inches thick Nickel
- 3. Spring Wire : 0.45mm Dia. Phosphor bronze with selective gold plating
- 4. Solder Pin : 0.4x0.4mm, Phosphor bronze with solder Plated
- 5. Durability : 300 Mating cycles Min.

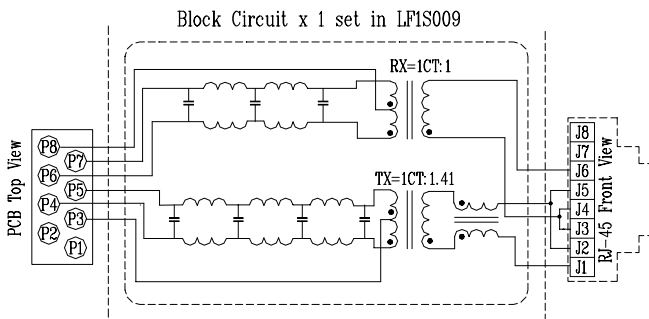
**PCB Layout Mounting Hole (Top View)**

**LF1SXXXX**

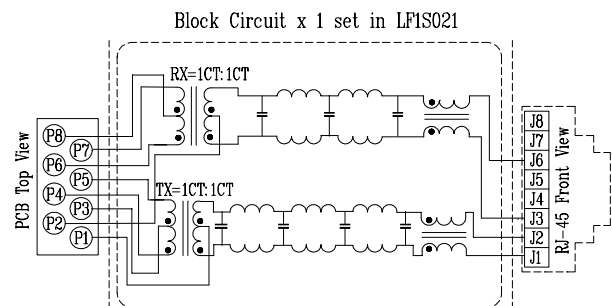


**Schematics**

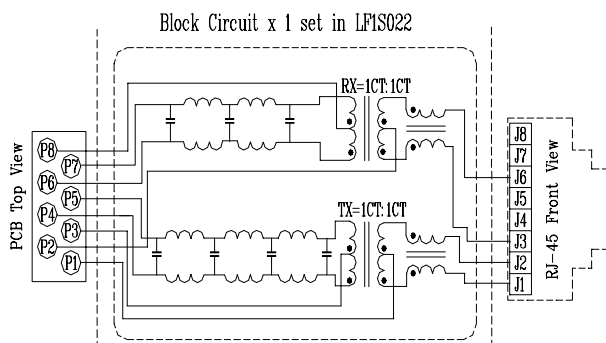
**LF1S009**



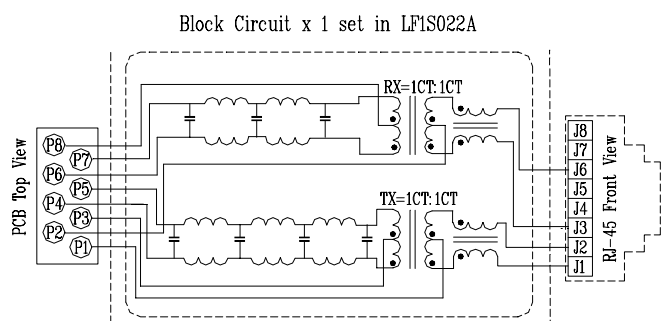
**LF1S021**



**LF1S022**



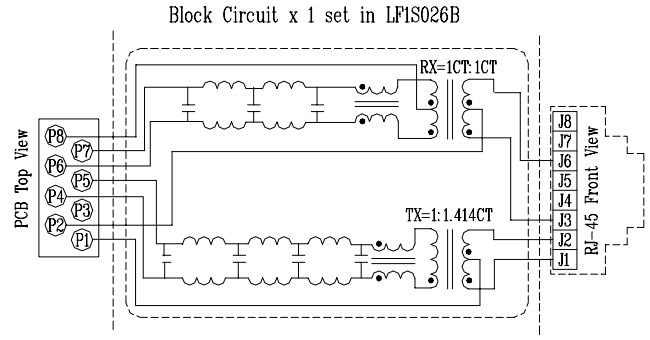
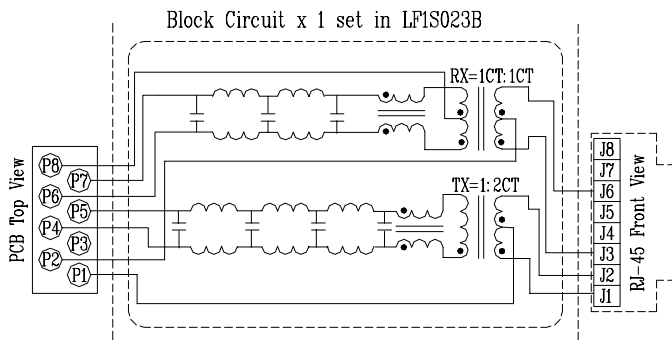
**LF1S022A**



**“LAN-MATE” SERIES**  
**SINGLE RJ45 CONNECTOR MODULE WITH INTEGRATED**  
**10 BASE-T MAGNETICS & FILTERS**

**LF1S023B**

**LF1S026B**



**LF1S028**

Block Circuit x 1 set in LF1S028

