

“LAN-MATE” SERIES

SINGLE RJ45 CONNECTOR MODULE WITH INTEGRATED 10/100 BASE-TX MAGNETICS

- RJ-45 connector integrated with X'FMR/impedance resistor/high voltage capacitor.
- Size same as RJ-45 connector to save PCB board space.
- Reduce EMI radiation, improve EMI performance.
- Design for 100 BASE transmission over UTP-5 cable.
- Operating temperature range: 0°C to +70°C.
- Storage temperature range: -25°C to +125°C.



Electrical specifications @ 25°C

Part Number	Insertion Loss (dB Max)	Return Loss (dB Min)					Cross Talk (dB Min)		
		0.3-100MHz	30MHz	40 MHz	50 MHz	60 MHz	80 MHz	0.3-30 MHz	30-60 MHz
LUIS041	-1.15	-16	-14	-13.5	-13	-10	-40	-35	-30
LUIS041A	-1.15	-16	-14	-13.5	-13	-10	-40	-35	-30
LUIS041B	-1.15	-16	-14	-13.5	-13	-10	-40	-35	-30
LUIS041C	-1.15	-16	-14	-13.5	-13	-10	-40	-35	-30
LUIS516	-1.15	-16	-14	-13.5	-13	-10	-40	-35	-30
LUIS516A	-1.15	-16	-14	-13.5	-13	-10	-40	-35	-30
LUIS516J	-1.15	-16	-14	-13.5	-13	-10	-40	-35	-30
LUIS516NX	-1.15	-16	-14	-13.5	-13	-10	-40	-35	-30
LUIS517*	-	-16	-14	-13.5	-13	-10	-40	-35	-30
LUIS522*	-	0.3-30MHz/-16	30-60MHz/-12		60-80MHz/-10		-40	-35	-30

Continue

Number	Turns Ratio (±5%)		OCL (uH Min) @ 100KHz/0.1V with 8mA DC Bias	Rise Time 10-90% (nS Typ)	HI-POT (Vrms)	CMR (dB Min)		
	TX	RX				1-30 MHz	30-60 MHz	60-125 MHz
LUIS041	1CT:1CT	1CT:1CT	350	2.5	1500	-30	-25	-20
LUIS041A	1CT:1CT	1CT:1CT	350	2.5	1500	-30	-25	-20
LUIS041B	1CT:1CT	1CT:1CT	350	2.5	1500	-30	-25	-20
LUIS041C	1CT:1CT	1CT:1CT	350	2.5	1500	-30	-25	-20
LUIS516	1CT:1	1CT:1CT	350	2.5	1500	-30	-25	-20
LUIS516A	1CT:1	1CT:1CT	350	2.5	1500	-30	-25	-20
LUIS516J	1CT:1	1CT:1CT	350	2.5	1500	-30	-25	-20
LUIS516NX	1CT:1	1CT:1CT	350	2.5	1500	-30	-25	-20
LUIS517	1CT:1	1CT:1CT	350	2.5	1500	-30	-25	-20
LUIS522	1CT:1CT	1CT:1CT	350	2.5	1500	-30	-25	-20

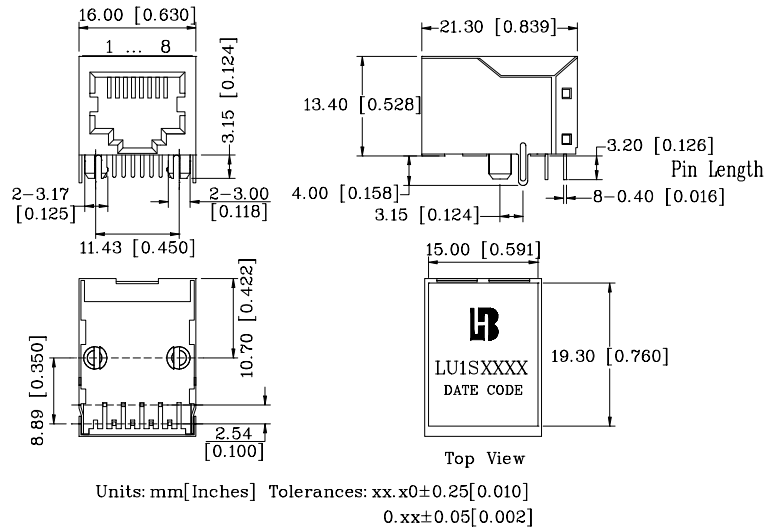
NOTE:

*Insertion Loss : -1.1dB @0.3-100MHz,-1.5@100-125 MHz

**SINGLE RJ45 CONNECTOR MODULE WITH INTEGRATED
10/100 BASE-TX MAGNETICS**

Mechanicals

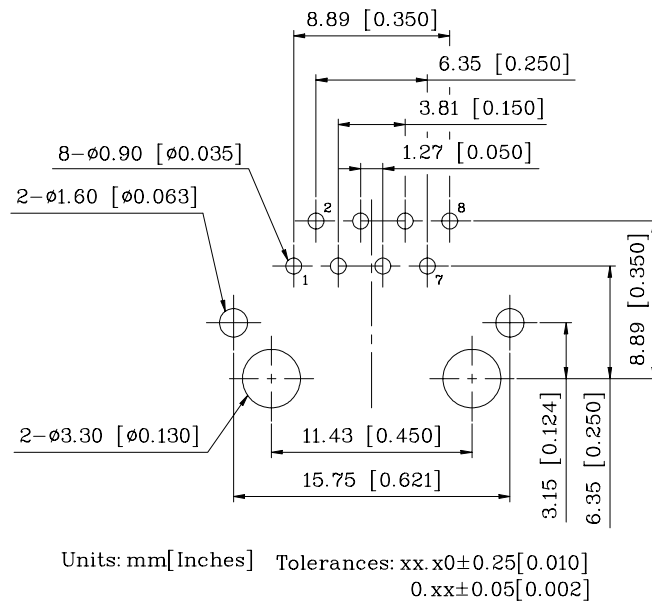
LU1SXXXX



- 1. Plastic Material : Thermoplastic (UL 94V-0), Black Housing
- 2. Metal Shield : Brass , 20u inches thick Nickel
- 3. Spring Wire : 0.45mm Dia. Phosphor bronze with selective gold plating
- 4. Solder Pin : 0.4x0.4mm, Phosphor bronze with solder Plated
- 5. Durability : 300 Mating cycles Min.

PCB Layout Mounting Hole (Top View)

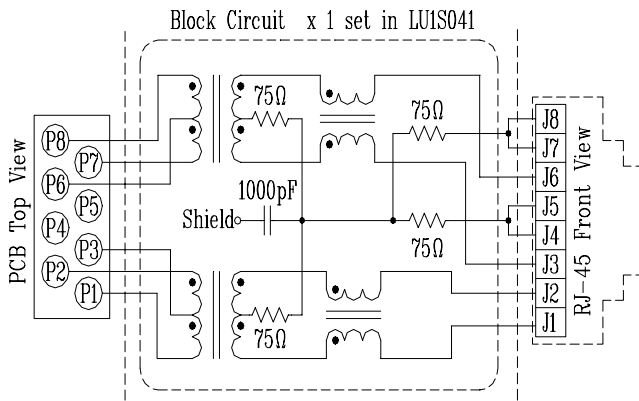
LU1SXXXX



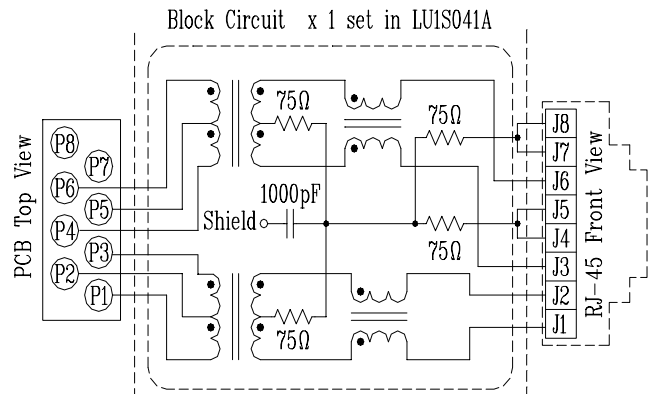
**SINGLE RJ45 CONNECTOR MODULE WITH INTEGRATED
10/100 BASE-TX MAGNETICS**

Schematics

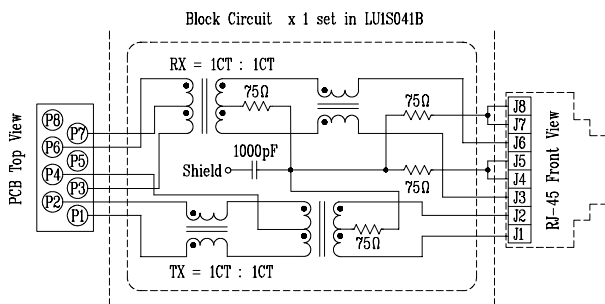
LU1S041



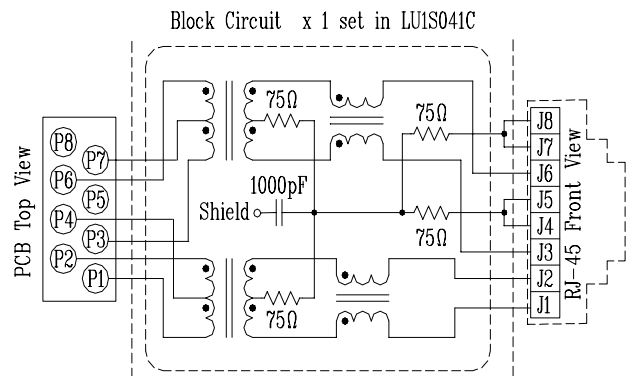
LU1S041A



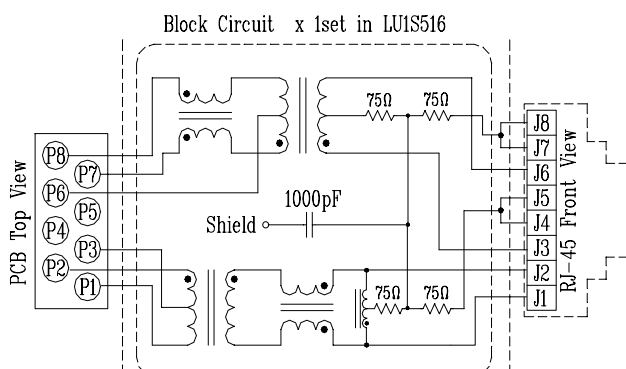
LU1S041B



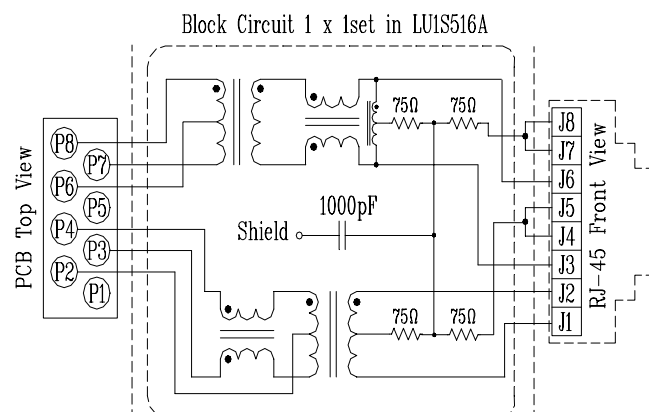
LU1S041C



LU1S516

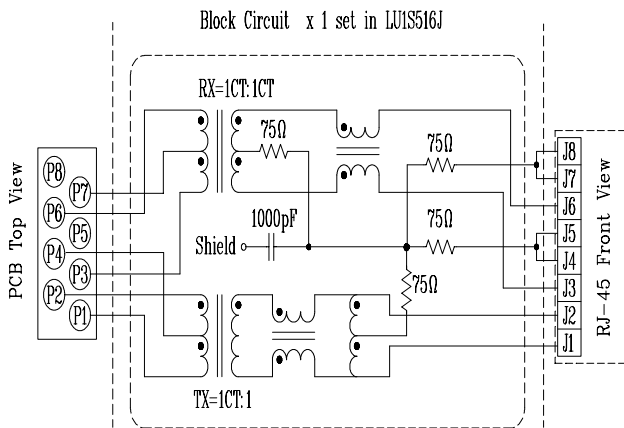


LU1S516A

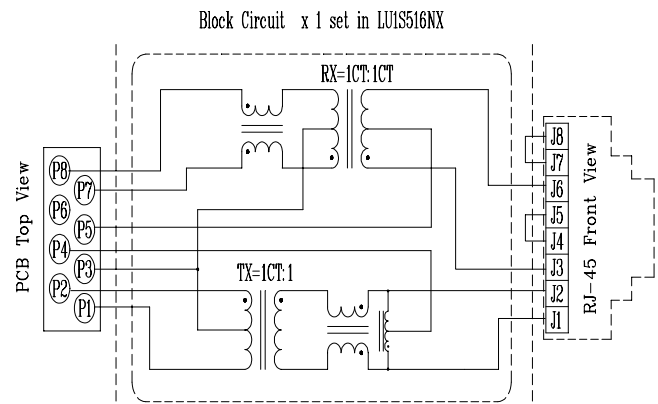


**SINGLE RJ45 CONNECTOR MODULE WITH INTEGRATED
10/100 BASE-TX MAGNETICS**

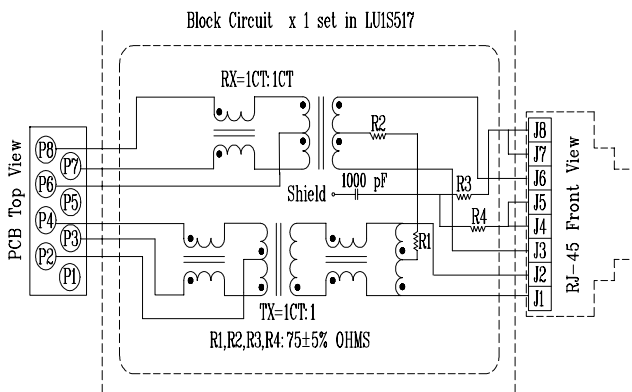
LU1S516J



LU1S516NX



LU1S517



LU1S522

