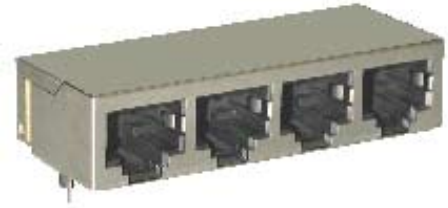


“LAN-MATE”SERIES

1X4 RJ45 CONNECTOR MODULE WITH INTEGRATED 10/100 BASE-TX MAGNETICS

- RJ-45 connector integrated with X'FMR/impedance resistor/high voltage capacitor.
- Size same as RJ-45 connector to save PCB board space
- Reduce EMI radiation, improve EMI performance.
- Design for 100 Base transmission over UTP-5 cable.
- Operating temperature range: 0°C to +70°C .
- Storage temperature range: -25°C to +125°C



Electrical specifications @25°C

Part Number	Insertion Loss (dB Max)	Return Loss (dB Min)					Cross Talk (dB Min)		
		0.3-100MHz	30MHz	40 MHz	50 MHz	60 MHz	80 MHz	0.3-30 MHz	30-60 MHz
LU4S041	-1.15	-16	-14	-13.5	-13	-10	-40	-35	-30
LU4S041A	-1.15	-16	-14	-13.5	-13	-10	-40	-35	-30
LU4S041C	-1.15	-16	-14	-13.5	-13	-10	-40	-35	-30
LU4S041F	-1.15	-16	-14	-13.5	-13	-10	-40	-35	-30
LU4S041X	-1.15	-16	-14	-13.5	-13	-10	-40	-35	-30
LU4S042	-1.15	-16	-14	-13.5	-13	-10	-40	-35	-30
LU4S042A	-1.15	-16	-14	-13.5	-13	-10	-40	-35	-30
LU4S049	-1.15	-16	-14	-13.5	-13	-10	-40	-35	-30
LU4S092	-1.15	-16	-14	-13.5	-13	-10	-40	-35	-30
LU4S125A	-1.15	-16	-14	-13.5	-13	-10	-40	-35	-30
LU4S214A	-1.15	-16	-14	-13.5	-13	-10	-40	-35	-30
LU4S515	-1.15	-16	-14	-13.5	-13	-10	-40	-35	-30
LU4S516	-1.15	-16	-14	-13.5	-13	-10	-40	-35	-30
LU4S516E	-1.15	-16	-14	-13.5	-13	-10	-40	-35	-30
LU4S516F	-1.15	-16	-14	-13.5	-13	-10	-40	-35	-30

Continue

Number	Turns Ratio (±5%)		OCL (uH Min) @ 100 KHz/0.1V with 8mA DC Bias	Rise Time 10-90%(nS Typ)	HI-POT (Vrms)	CMR (dB Min)		
	TX	RX				1-30MHz	30-60 MHz	60-125 MHz
LU4S041	1CT:1CT	1CT:1CT	350	2.5	1500	-30	-25	-20
LU4S041A	1CT:1CT	1CT:1CT	350	2.5	1500	-30	-25	-20
LU4S041C	1CT:1CT	1CT:1CT	350	2.5	1500	-30	-25	-20
LU4S041F	1CT:1CT	1CT:1CT	350	2.5	1500	-30	-25	-20
LU4S041X	1CT:1CT	1CT:1CT	350	2.5	1500	-30	-25	-20
LU4S042	2CT:1CT	1CT:1CT	350	2.5	1500	-30	-25	-20
LU4S042A	2CT:1	1CT:1CT	350	2.5	1500	-30	-25	-20
LU4S049	1CT:1CT	1CT:1CT	350	2.5	1500	-30	-25	-20
LU4S092*	1.41CT:1CT	1CT:1CT	350	2.5	1500	-30	-25	-20
LU4S125A	1.25CT:1CT	1CT:1CT	350	2.5	1500	-30	-25	-20
LU4S214A	1CT:1.414CT	1CT:1	350	2.5	1500	-30	-25	-20
LU4S515	1CT:1CT	1CT:1CT	350	2.5	1500	-30	-25	-20
LU4S516	1CT:1	1CT:1CT	350	2.5	1500	-30	-25	-20
LU4S516E	1CT:1CT	1CT:1CT	350	2.5	1500	-30	-25	-20
LU4S516F	1CT:1CT	1CT:1	350	2.5	1500	-30	-25	-20

NOTE:

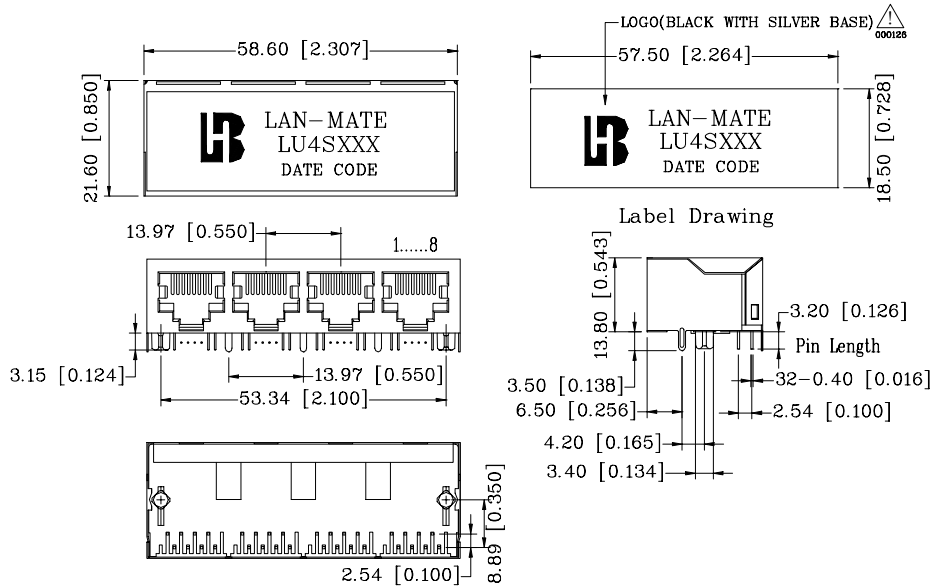
* Insulation Resistance: 10,000 MΩ @500 Vdc.

 Bothhand Enterprise Inc.

**1X4 RJ45 CONNECTOR MODULE WITH INTEGRATED
10/100 BASE-TX MAGNETICS**

Mechanicals

LU4SXXX

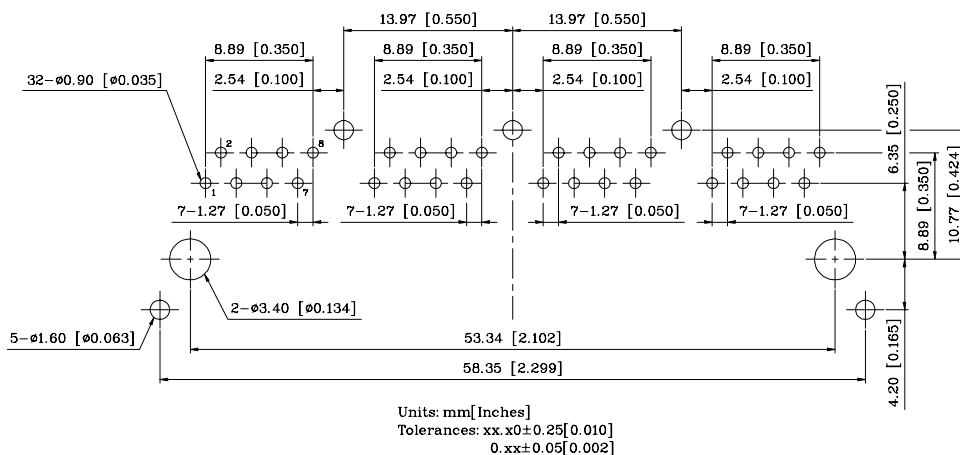


Units: mm[Inches] Tolerances: xx.x0±0.25[0.010]
0.xx±0.05[0.002]

- 1. Plastic Material : Thermoplastic (UL 94V-0), Black Housing
- 2. Metal Shield : Brass , 20u inches thick Nickel
- 3. Spring Wire : 0.45mm Dia. Phosphor bronze with selective gold plating
- 4. Solder Pin : 0.4x0.4mm, Phosphor bronze with solder Plated
- 5. Durability : 300 Mating cycles Min.

PCB Layout Mounting Hole (Top View)

LU4SXXX

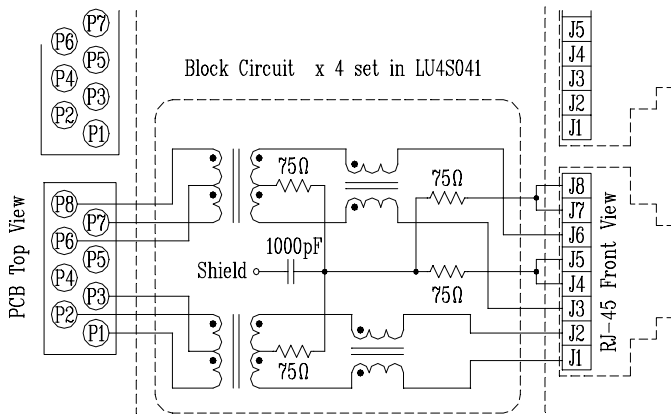


Units: mm[Inches]
Tolerances: xx.x0±0.25[0.010]
0.xx±0.05[0.002]

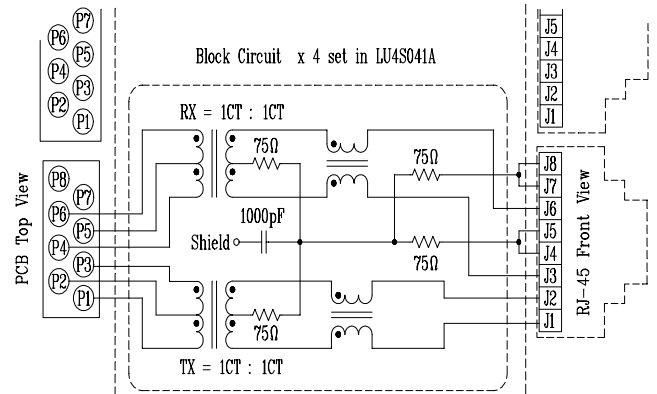
1X4 RJ45 CONNECTOR MODULE WITH INTEGRATED 10/100 BASE-TX MAGNETICS

Schematics

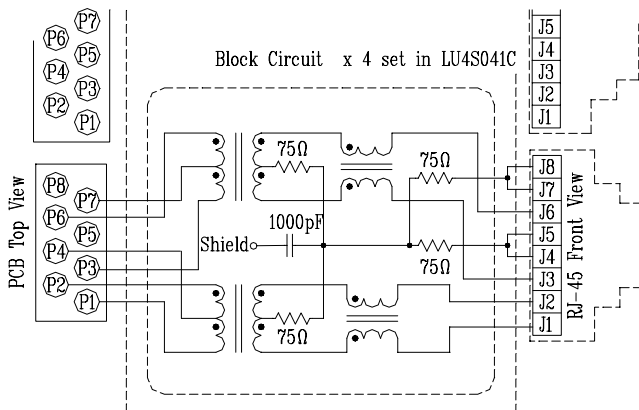
LU4S041



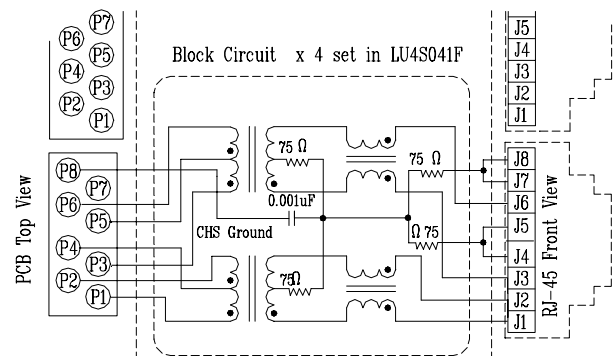
LU4S041A



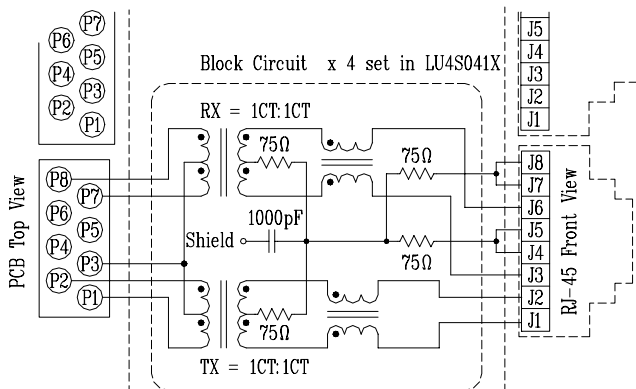
LU4S041C



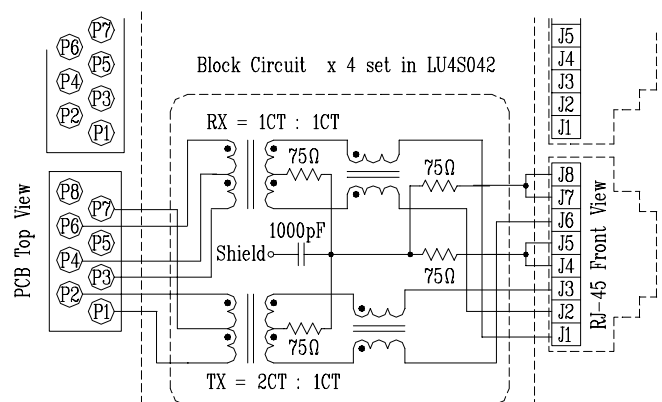
LU4S041F



LU4S041X

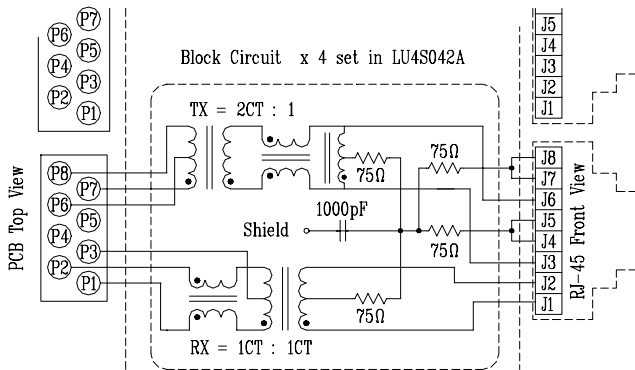


LU4S042

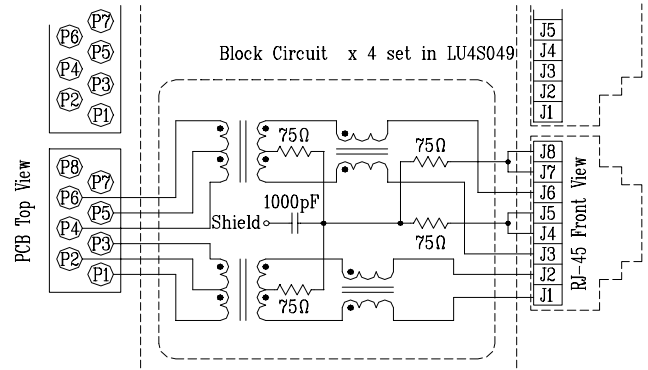


“LAN-MATE” SERIES
1X4 RJ45 CONNECTOR MODULE WITH INTEGRATED
10/100 BASE-TX MAGNETICS

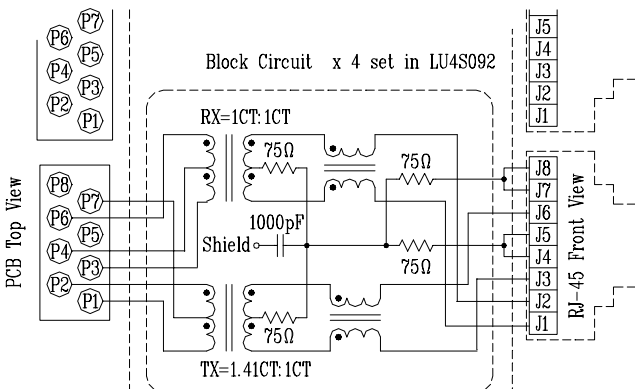
LU4S042A



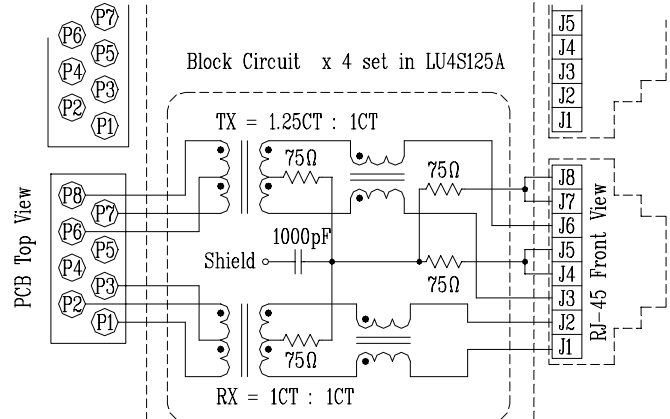
LU4S049



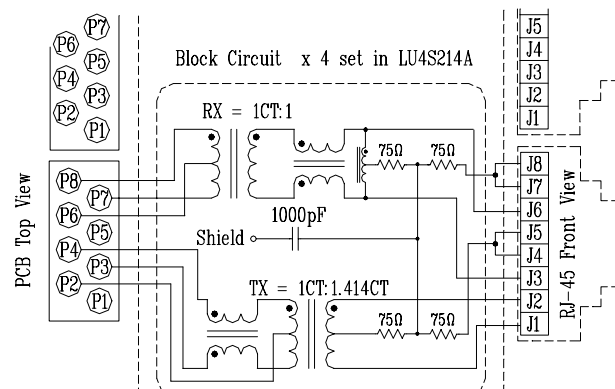
LU4S092



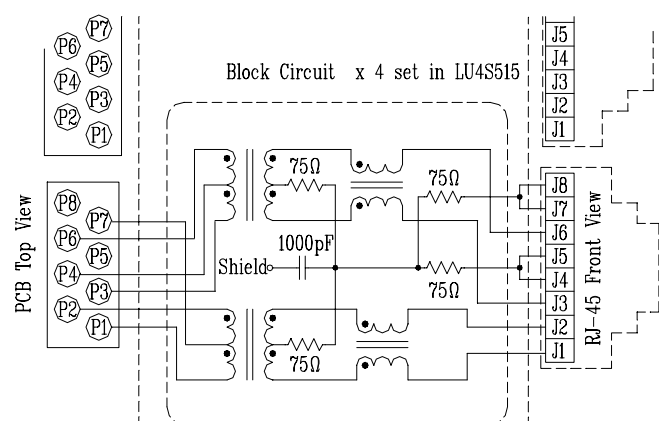
LU4S125A



LU4S214A

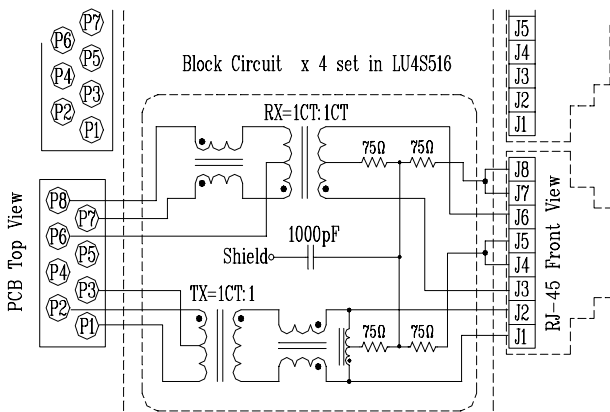


LU4S515

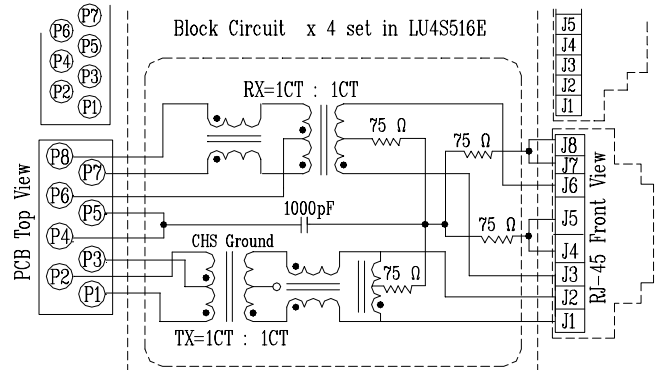


**1X4 RJ45 CONNECTOR MODULE WITH INTEGRATED
10/100 BASE-TX MAGNETICS**

LU4S516



LU4S516E



LU4S516F

