

“LAN-MATE”SERIES

SINGLE RJ45 CONNECTOR MODULE WITH INTEGRATED 10/100 BASE-TX MAGNETICS AND LEDS

- J-45 connector integrated with X’FMR/Impedance resistor/High voltage capacitor.
- Size same as RJ-45 connector to save PCB board space.
- Reduce EMI radiation, improve EMI performance.
- Design for 100 Base transmission over UTP-5 cable.
- Operating temperature range: 0°C to +70°C.
- Storage temperature range: -25°C to +85°C.
- Recommended panel



Part Number	Standard LED	Forward*V(Max)	(TYP)
1	RED	2.6V	2.2V
4	GREEN	2.6V	2.2V
3	YELLOW	2.6V	2.1V
0	Without LED		

*With a forward current 20mA

Electrical specifications @ 25°C

Part Number	Insertion Loss (dB Max)	Return Loss (dB Min)					Cross Talk (dB Min)			CMR (dB Min)		
		0.3-100MHz	30 MHz	40 MHz	50 MHz	60 MHz	80 MHz	0.3-30 MHz	30-60 MHz	60-100 MHz	1-30 MHz	30-60 MHz
NU1S041-XXX	-1.15	-16	-14	-13.5	-13	-10	-40	-35	-30	-30	-25	-20
NU1S041A-XXX	-1.15	-16	-14	-13.5	-13	-10	-40	-35	-30	-30	-25	-20
NU1S041B-XXX	-1.15	-16	-14	-13.5	-13	-10	-40	-35	-30	-30	-25	-20
NU1S041C-XXX	-1.15	-16	-14	-13.5	-13	-10	-40	-35	-30	-30	-25	-20
NU1S114-XXX	-1.15	-16	-14	-13.5	-13	-10	-40	-35	-30	-30	-25	-20
NU1S214A-XXX	-1.15	-16	-14	-13.5	-13	-10	-40	-35	-30	-	-	-
NU1S515-XXX	-1.15	-16	-14	-13.5	-13	-10	-40	-35	-30	-30	-25	-20
NU1S516-XXX	-1.15	-16	-14	-13.5	-13	-10	-40	-35	-30	-30	-25	-20
NU1S516A-XXX	-1.15	-16	-14	-13.5	-13	-10	-40	-35	-30	-30	-25	-20
NU1S517-XXX*		-16	-14	-13.5	-13	-10	-40	-35	-30	-30	-25	-20

Continue

Number	Turns Ratio (±5%)		OCL (uH Min) @ 100 KHz/0.1V with 8mA DC Bias	Rise Time 10-90%(nS Typ)	HI-POT (Vrms)
	TX	RX			
NU1S041-XXX	1CT:1CT	1CT:1CT	350	2.5	1500
NU1S041A-XXX	1CT:1CT	1CT:1CT	350	2.5	1500
NU1S041B-XXX	1CT:1CT	1CT:1CT	350	2.5	1500
NU1S041C-XXX	1CT:1CT	1CT:1CT	350	2.5	1500
NU1S114-XXX	1CT:1.414CT	1CT:1CT	350	2.5	1500
NU1S214A-XXX	1CT:1.414CT	1CT:1	350	2.5	1500
NU1S515-XXX	1CT:1CT	1CT:1CT	350	2.5	1500
NU1S516-XXX	1CT:1	1CT:1CT	350	2.5	1500
NU1S516A-XXX	1CT:1	1CT:1CT	350	2.5	1500
NU1S517-XXX	1CT:1	1CT:1CT	350	2.5	1500

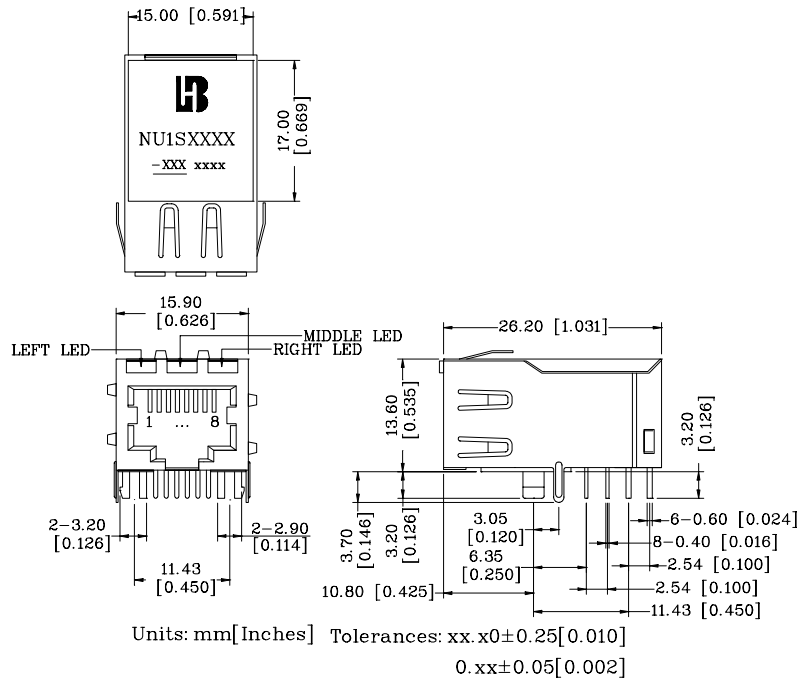
NOTE:

* Insertion Loss: -1.1dB @0.3-100MHz,-1.5@100-125 MHz

**SINGLE RJ45 CONNECTOR MODULE WITH INTEGRATED
10/100 BASE-TX MAGNETICS AND LEDS**

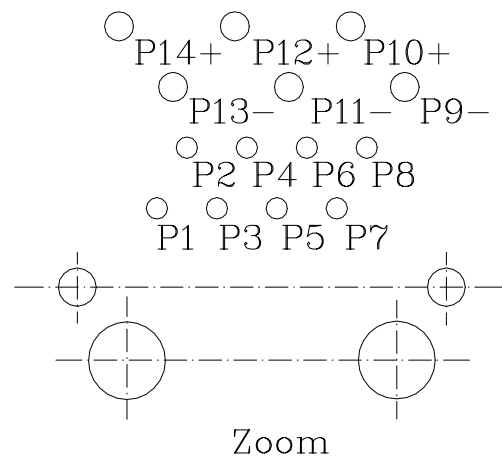
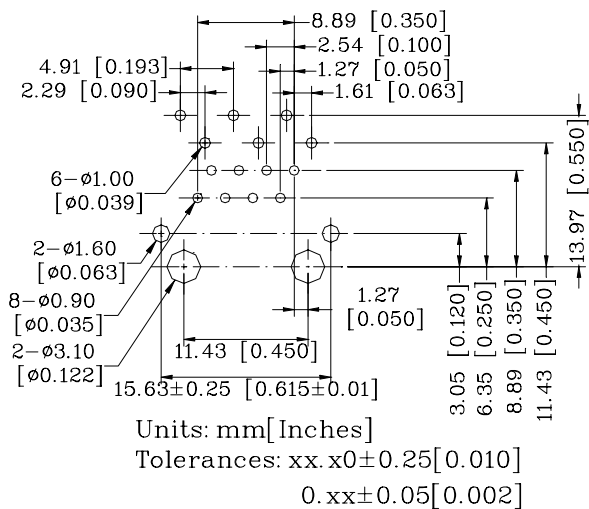
Mechanicals

NU1SXXX-XXX



- 1. Plastic Material : Thermoplastic (UL 94V-0), Black Housing
- 2. Metal Shield : Brass , 20u inches thick Nickel
- 3. Spring Wire : 0.45mm Dia. Phosphor bronze with selective gold plating
- 4. Solder Pin : 0.4x0.4mm, Phosphor bronze with solder Plated
- 5. Durability : 300 Mating cycles Min.

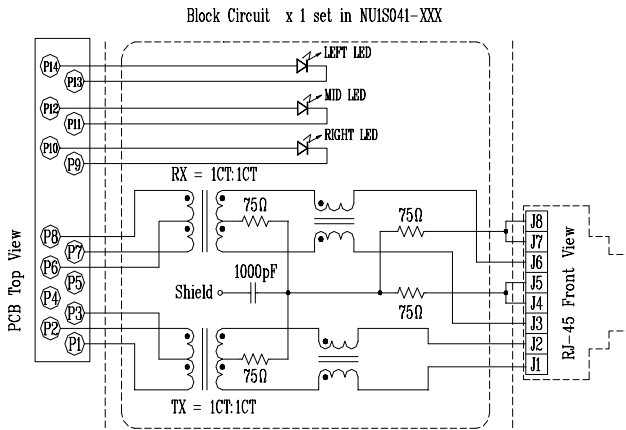
PCB Layout Mounting Hole (Top view)



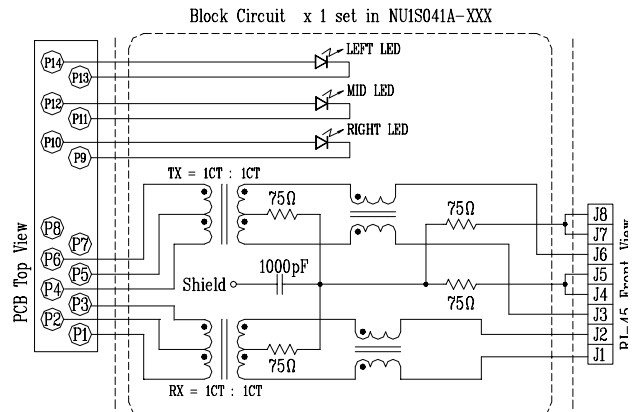
**SINGLE RJ45 CONNECTOR MODULE WITH INTEGRATED
10/100 BASE-TX MAGNETICS AND LEDs**

Schematics

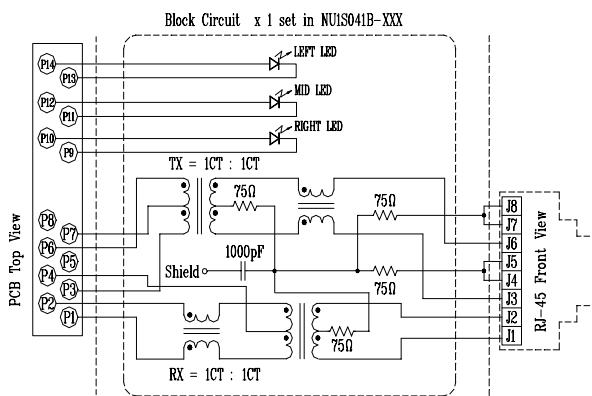
NU1S041-XXX



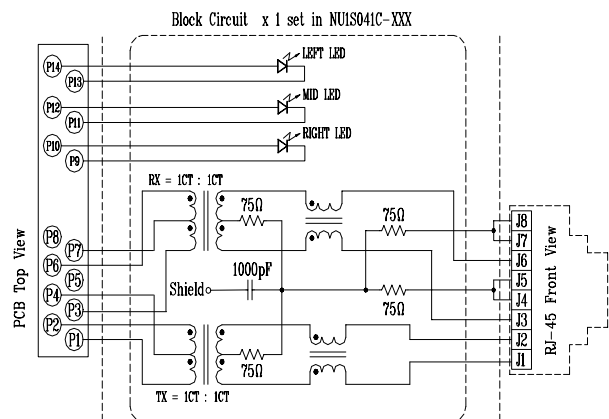
NU1S041A-XXX



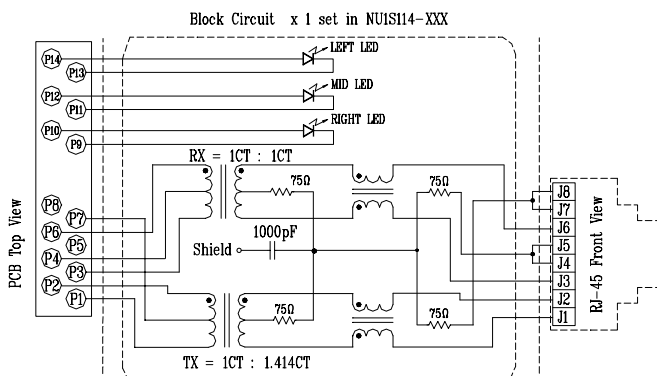
NU1S041B-XXX



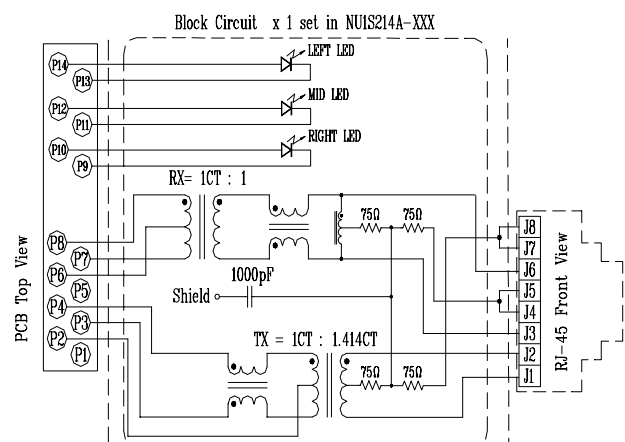
NU1S041C-XXX



NU1S114-XXX

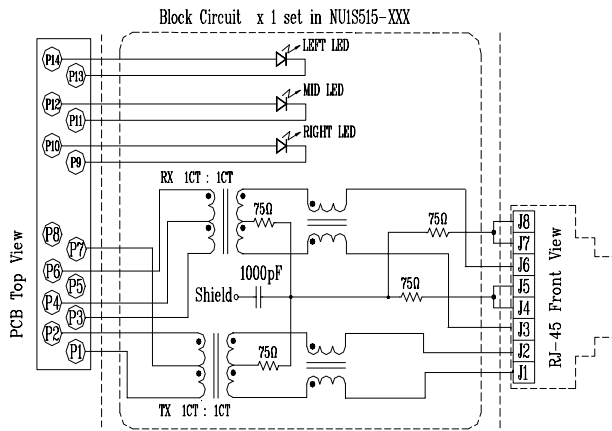


NU1S214A-XXX

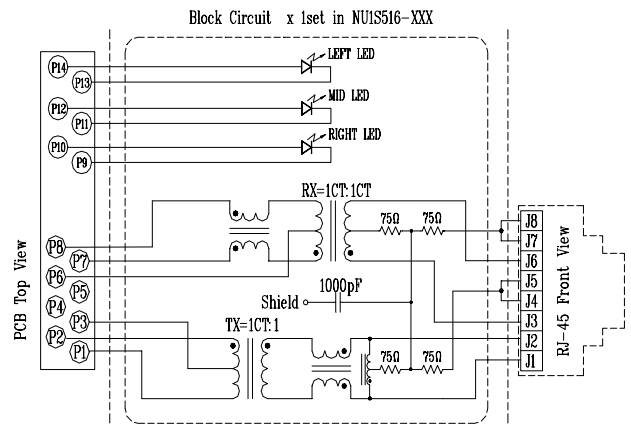


**SINGLE RJ45 CONNECTOR MODULE WITH INTEGRATED
10/100 BASE-TX MAGNETICS AND LEDs**

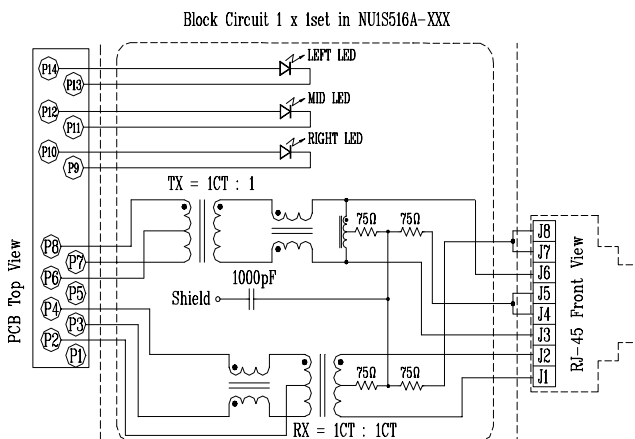
NU1S515-XXX



NU1S516-XXX



NU1S516A-XXX



NU1S517-XXX

