

**10/100 BASE PULSE TRANSFORMERS (SMD) SMALL SIZE**

- Designed to meet IEEE 802.3u requirement including 350uH OCL with 8mA bias
- High isolation voltages to comply with international safety requirements for LANS
- Compatible with Intel, TDK, QSI, and ICS transceivers
- Operating temperature range: 0 to + 70
- Storage temperature range: -25 to +125



**Electrical Specifications @ 25**

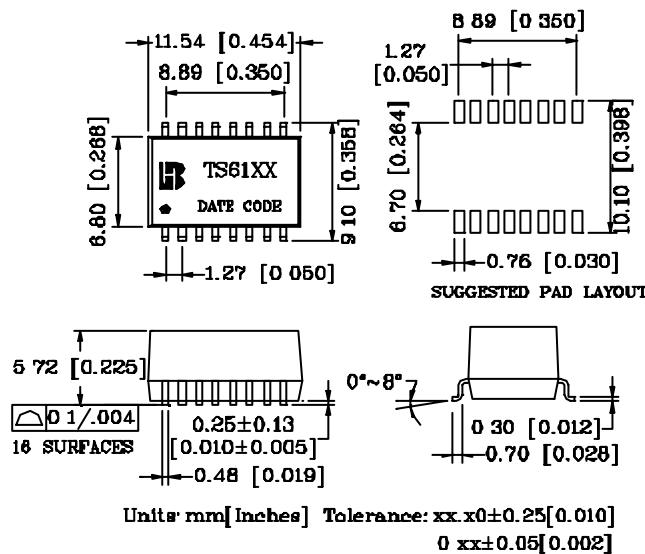
Part Number	Insertion Loss (dB Max)	Return Loss (dB Min)				Cross talk (dB Min)		DCMR (dB Min)		
		0.3~100MHz	0.3-30MHz	40MHz	50MHz	60-80MHz	0.3-60MHz	60-100MHz	30MHz	60MHz
TS6121A	-1.15	-18	-15.5	-13	-12	-45	-35	-40	-35	-30
TS6121B	-1.15	-18	-15.5	-13.6	-12	-45	-35	-40	-35	-30
TS6121C	-1.15	-18	-15.5	-13.6	-12	-45	-35	-40	-35	-30
TS6121CX	-1.15	-18	-15.5	-13.6	-12	-45	-35	-40	-35	-30
TS6121E	-1.15	-18	-15.5	-13	-12	-45	-35	-40	-35	-30
TS6121F	-1.15	-18	-15.5	-13	-12	-45	-35	-40	-35	-30
TS6121G	-1.15	-18	-15.5	-13	-12	-45	-35	-40	-35	-30
TS6121K	-1.15	-18	-15.5	-13.0	-12	-45	-35	-42	-37	-33
TS6121H	-1.15	-18	-15.5	-13.6	-12	-45	-35	-40	-35	-30

**Continue**

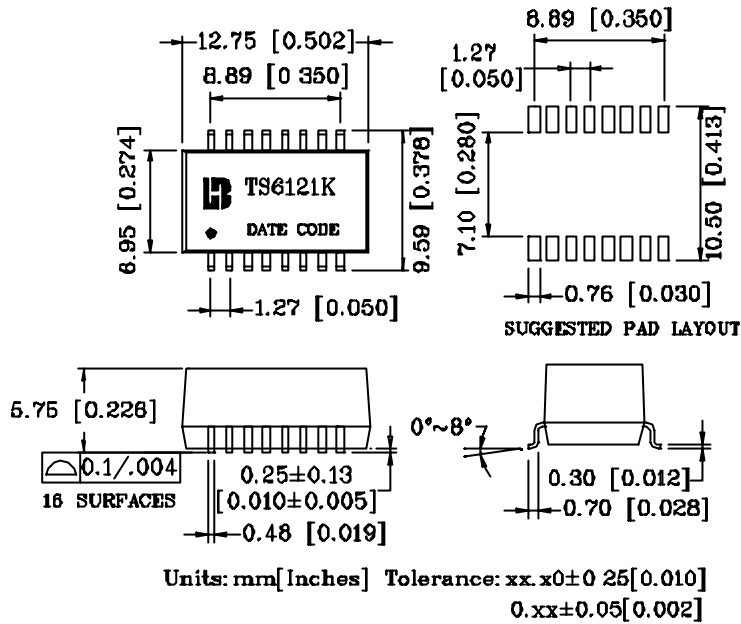
Part Number	Turns Ratio (±5%)		OCL (uH Min) @100KHz/0.1V with 8.0mA DC	HI-POT (Vrms)	PRI PINS
	1-3:16-14	6-8:11-9			
TS6121A	1CT:1CT	1CT:1CT	350	1500	(16-14)&(11-9)
TS6121B	1CT:1.25CT	1CT:1CT	350	1500	(16-14)&(11-9)
TS6121C	1CT:1CT	1CT:1CT	350	1500	(1-3)&(6-8)
TS6121CX	1CT:1CT	1CT:1CT	350	1500	(1-3)&(6-8)
TS6121E	1CT:1CT	1CT:1CT	350	1500	(6-7)&(15-16)
TS6121F	1CT:1CT	1CT:1CT	350	1500	-
TS6121G	1CT:1CT	1CT:1CT	350	1500	-
TS6121K	1CT:1	1CT:1CT	350	1500	(1-3)&(6-8)
TS6121H	1CT:1CT	1CT:1CT	350	1500	(16-14)&(11-9)

**Mechanicals**

TSXXXX

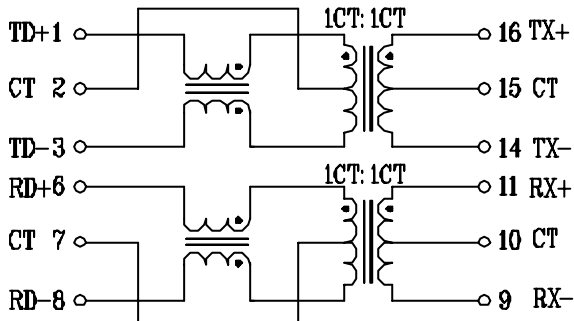


TS6121K(Once Molding)

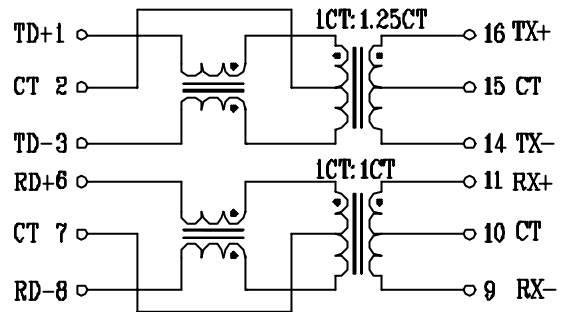


Schematics

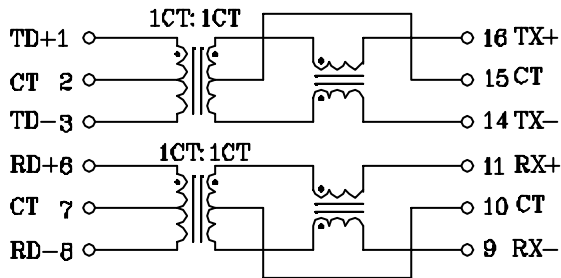
TS6121A



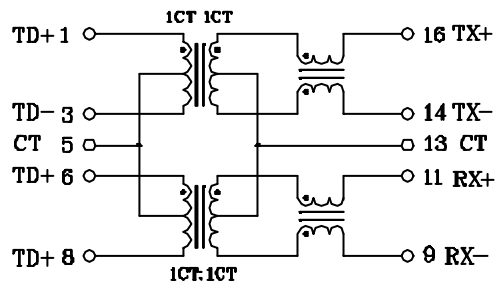
TS6121B



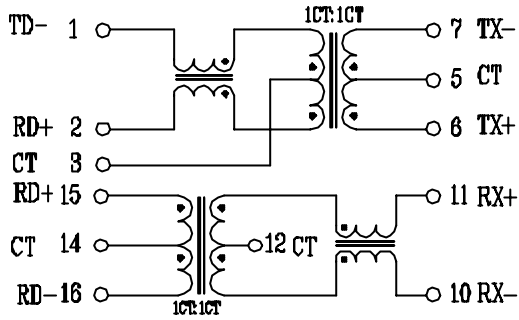
TS6121C



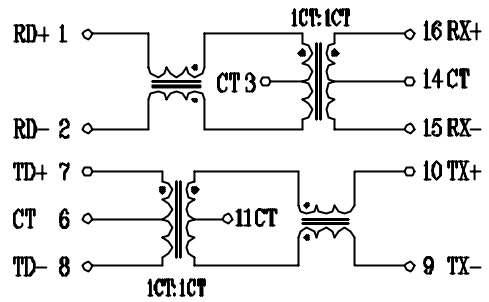
TS6121CX



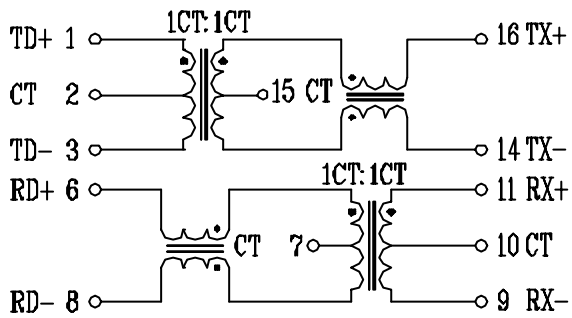
TS6121E



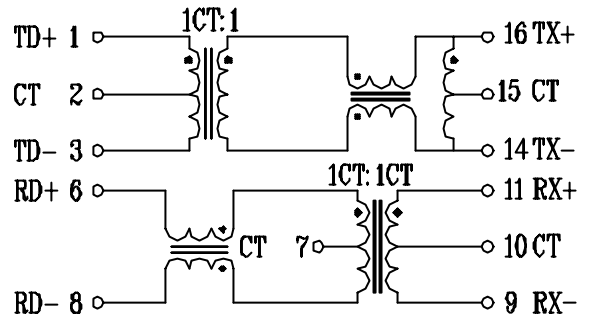
TS6121F



TS6121G



TS6121K



TS6121H

