

- 16 pin SMD package to compliant with IEEE 802.3 standard
- Model is available to interface with 10 Base-T transceivers
- Compatible with IR oven processes
- Designed for fast rise time and low baseline wander
- Operating temperature range: 0 to +70
- Storage temperature range: -25 to +125

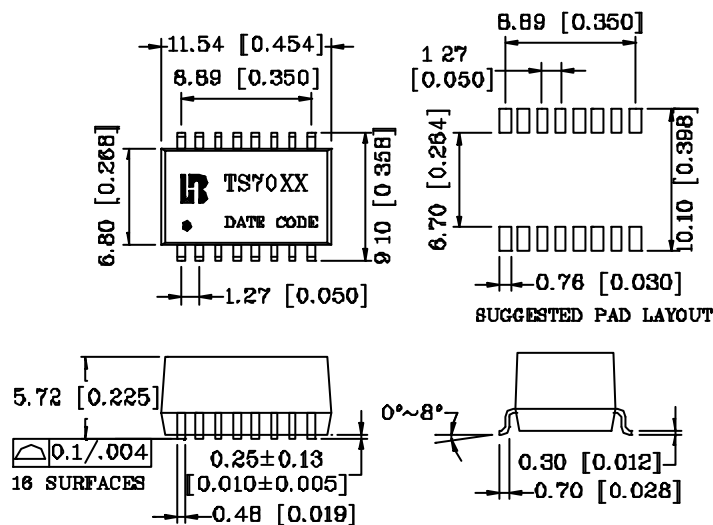


Electrical Specifications @ 25

Part Number	Primary OCL (uH Min)	Leakage Inductance (uH Max)	C _{w/w} (pF Max)	HI-POT (Vrms)	Turn Ratio(±5%)	Primary DCR (Max)	Insulation Resistance (M)	Primary Pins
TS7008	100±20%	0.30	9	2000	1CT:1CT (±3%)	0.3	10,000	1-3, 6-8
TS7009	100±20%	0.30	9	2000	1CT:1CT (±3%)	0.3	10,000	1-3, 6-8
TS7010	140	0.40	20	2000	1CT:1CT&1CT:1.414CT	0.9	-	1-3, 6-8
TS7010A	200	0.5	12	2000	1CT:1CT&1CT:1.414CT	0.5	-	1-3, 6-8
TS7010B	175 & 80	0.4 & 0.55	20	2000	1CT:1CT & 1CT:1.41CT	0.9	-	1-3, 6-8
TS7010R	140 Typ	0.4	15	2000	1CT:1CT & 1CT:1.41CT	0.3	-	1-3, 6-8
TS7011	140	0.30	20	1500	1CT:1CT & 1CT:1.41CT	0.9	-	1-3,6-8
TS7011A	110	0.40	15	1500	1CT:1CT & 1CT:1.414CT	1.0	-	1-3,6-8
TS7011B	175	0.3	20	2000	1CT:1CT & 1CT:1.414CT	0.9	-	1-3,6-8
TS7012	175	0.30	20	1500	1.41CT:1CT & 1CT:1CT	0.9	-	1-3, 11-9
TS7013B	150	0.5 & 0.6	17 & 20	1500	1CT:1CT & 1CT:2.5CT	Pri(1.0)/Sec(1.1)	-	1-3, 6-8
TS7020	140 Typ	0.5	12	1500	2CT:1CT & 1CT:1CT	1.0	-	1-3, 6-8
TS7021	175	0.30	20	1500	2CT:1CT & 1CT:1CT	0.9	-	1-3, 6-8
TS7022	140	0.30	12	1500	1CT:1CT & 1CT:2CT	0.6	-	1-3, 6-8
TS7022A	140 & 25	0.4	15	2000	1CT:1CT & 1CT:2CT	0.3	10,000	1-3, 6-8
TS7022B	140	0.4	15	2000	1CT:1CT & 1CT:2CT	0.3	-	1-3, 6-8
TS7023	200	0.3	12	1500	1CT:2CT & 1CT:1CT	1.0	-	1-3, 6-8
TS7024	50 & 200	0.2	10	1500	1CT:2CT & 1CT:1CT	0.20	-	1-3, 6-8
TS7025	100±20%	0.3	9	1500	1CT:1CT & 1CT:2CT	0.3	100 Min	1-3, 6-8
TS7027	140	0.3	12	1500	2CT:1CT & 1CT:1CT	1.0	-	1-3,6-8

Mechanicals

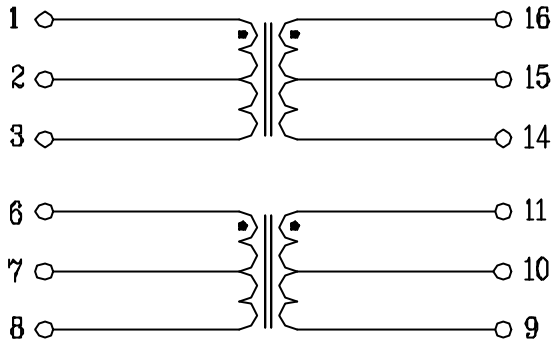
TS70XX



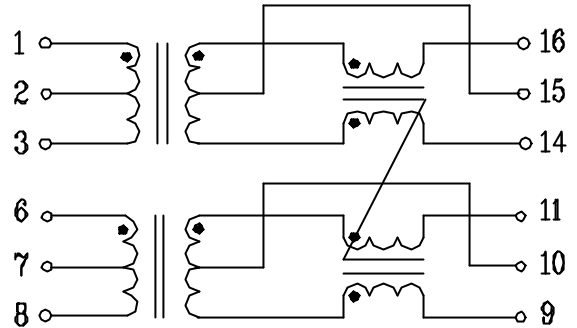
Units: mm[Inches] Tolerance: xx.x0±0.25[0.010]
0.xx±0.05[0.002]

Schematics

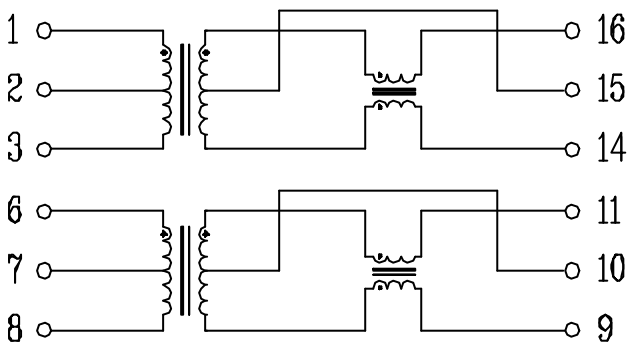
TS7008, TS7011, TS7011B, TS7025, TS7022A



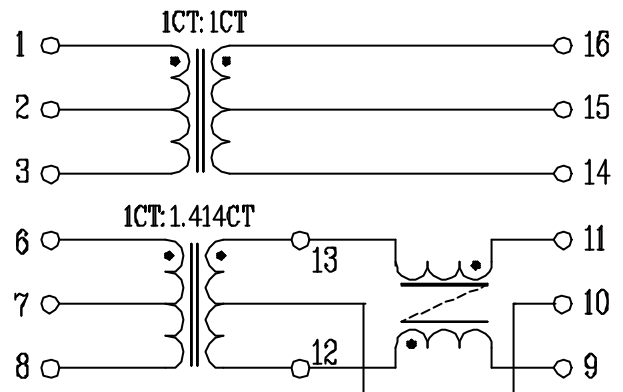
TS7009, TS7010R, TS7012, TS7013B



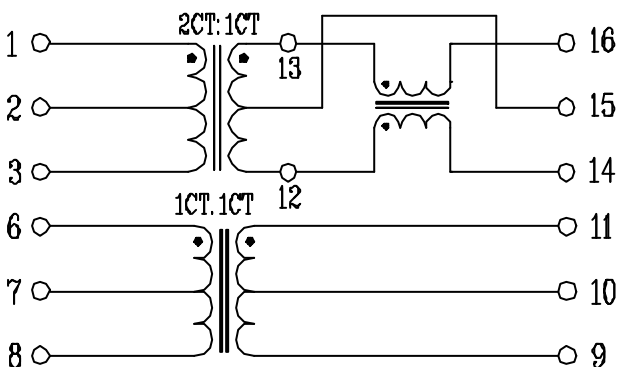
TS7010, TS7010A, TS7010B, TS7021 TS7022B, TS7023



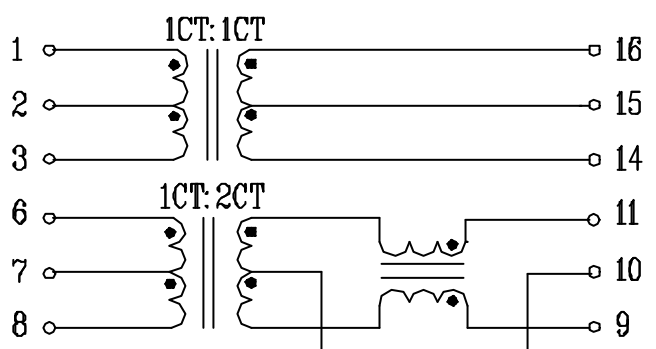
TS7011A



TS7020,TS7027



TS7022



TS7024

